

Hustler FasTrak CE Parts Manual

da matricola 13010064

Contents

General Information	1
Frame, Footrest & Engine Guard Section	
Frame	3-1
Footrest	3-2
Engine Guard	3-3
Guards	3-4
Transmission & Steering Section	
Hydraulic Transmission - ZT3100	4-1
Transmission Assembly - ZT3100	4-2
Transmission Service Parts	4-3
Steering - SN 13023176 & Higher	4-4
Steering - S/N 12120454 to 12121264, S/N 12121536 to 13023175	4-5
Steering - S/N Prior to 12120454, S/N 12121265 to 12121535	4-6
Steering Assembly	4-7
Brake	4-8
Wheels & Tires Section	
Wheel & Tire	5-1
Front Tire Breakdown	5-2
Drive Wheel Breakdown - 54" Mowers	5-3
Engine & Fuel Tank Section	
Engine, Kawasaki FS651V - S/N 12042555 & Higher	6-1
Engine, Kawasaki FS651V - S/N Prior to 12042555	6-2
Engine Service Parts, Kawasaki	6-3
Fuel Tanks - S/N 12042555 & Higher	6-4
Fuel Tank & Fender - S/N Prior to 12042555	6-5
Fuel Tank Service Parts - Dual Tank Mowers - S/N 12042555 & Higher	6-6
Fuel Tank Service Parts - Single Tank Mowers - S/N Prior to 12042555	6-7
Electrical Section	
Battery	7-1
Instrument Panel	7-2
Deck Section	
Service Deck	8-1
Deck Pulleys & Spindles	8-2
Deck	8-3
Spindle Assembly - 783506	8-4
Deck Lift & Mounting Hardware	8-5
Seat & ROPS Section	
Seat - S/N 13010064 & Higher	9-1
Seat - S/N Prior to 13010064	9-2
Seat Service Parts	9-3

ROPS - Foldable	9-4
Appendix B:Parts Index	B
Appendix A:Pages Index	A

General Information

This Manual covers Hustler® FasTrak model **930107CE**.

Service Literature

PART NO.	DESCRIPTION
602900CE	OPERATOR'S MANUAL
114241	SERVICE MANUAL
114190	WARRANTY CERTIFICATE

Options Available From Your Dealer

PART NO.	DESCRIPTION
796623	BLADE, 16.50"-MUL-F-CW
600213	FLEX FORK KIT
117147	LIGHT KIT (S/N 11121638 & HIGHER)
108283	LIGHT KIT (S/N PRIOR TO 11121638)
333724	STEERING ARM EXTENSION KIT
109941	STRIPE ROLLER KIT
603278	ROPS KIT

Note: When ordering parts, you must use the part number as shown for each part, not the index number. Always give the model and serial number to your parts and service representative.

Note: Items sold in bulk such as seals and hoses are sold by the foot.

Using This Manual

This manual is part of a service package for the Hustler® mowers. Use of this manual in conjunction with other Hustler® mower and component manuals will provide the information necessary to service and maintain Hustler® mowers.

This Parts Manual provides a complete parts listing for the unit. Use this manual when ordering parts. Illustrations used were current at the time of printing, but subsequent production changes may cause your machine to vary slightly in detail. Excel Industries, Inc. reserves the right to redesign and change the machine as deemed necessary, without notification. If a change has been made to your machine which is not reflected in this parts manual, see your Hustler® dealer for current information and parts.

The Service Manual is a service guide for use by Service Technicians. It provides the necessary information needed to perform normal maintenance requirements on these units.

The Operator's Manual provides fundamental operational information and operational safety that is needed when operating the mower.

The component manuals are furnished by the various manufacturers to be used for the troubleshooting and servicing of their products.

Hardware Description Codes & Abbreviations

The following codes are used throughout this parts manual. Refer to this list when ordering parts.

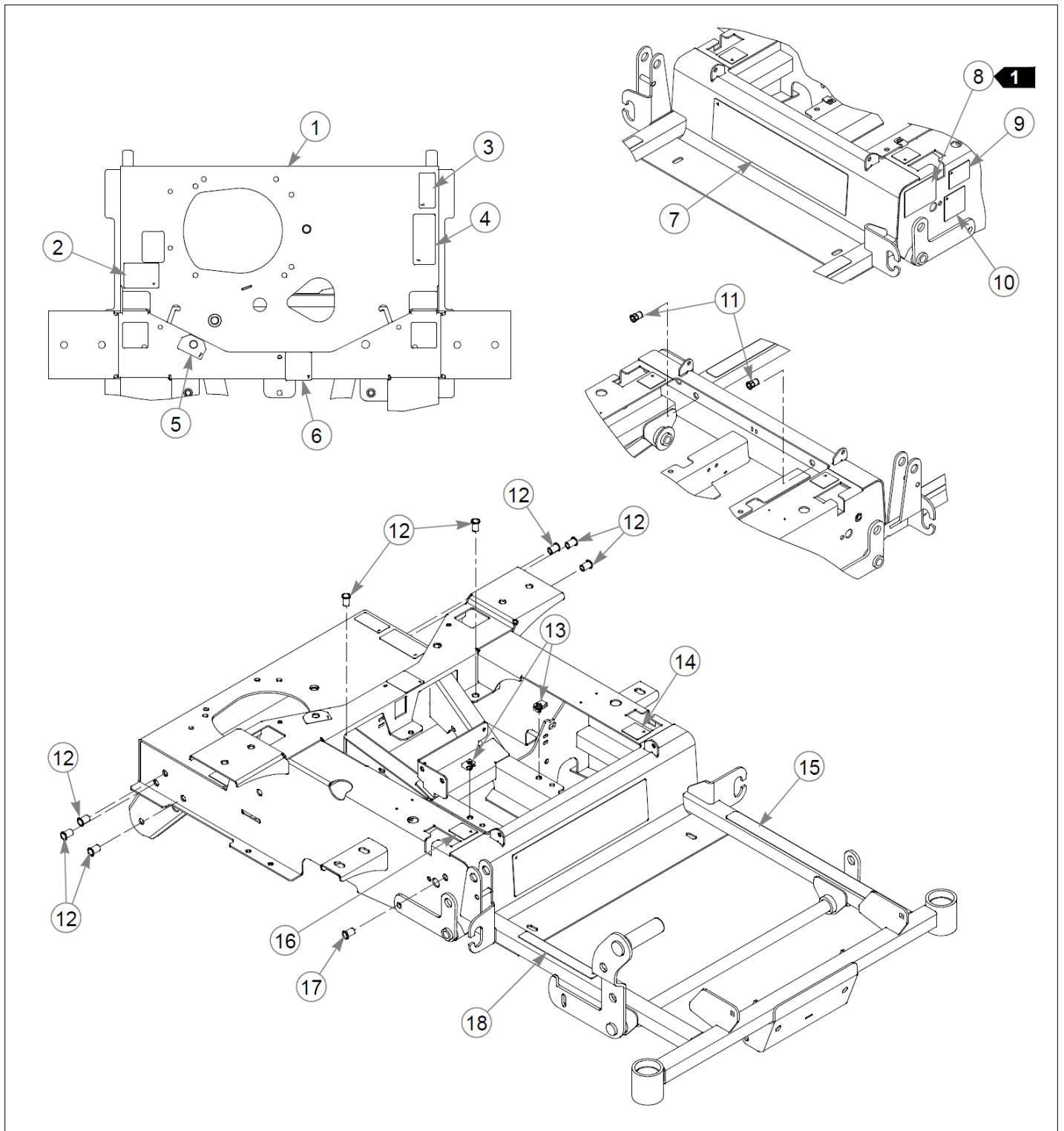
ABBREVIATION	DESCRIPTION	ABBREVIATION	DESCRIPTION
CB	CARRIAGE BOLT	MB	MACHINE BUSHING
CE	CLEVIS PIN	MS	MACHINE SCREW
CN	CLIP NUT	NT	NUT
CP	COTTER PIN	SC	SELF TAPPING CAP SCREW
CS	CAP SCREW	SH	SOCKET HEAD
CW	CUP WASHER	SB	SHOULDER BOLT
FDRW	FENDER WASHER	SS	SET SCREW
FW	FLAT WASHER	OD	OUTSIDE DIAMETER
HX	HEX HEAD	ID	INSIDE DIAMETER
LW	LOCK WASHER		

Standard Torques

The following chart lists the standard torque values for the threaded fasteners found in this manual. Torque all cap screws, nuts and set screws to these values unless a different torque is shown in the Notes section next to the fastener.

SIZE	FT-LBS	N-M	SIZE	FT-LBS	N-M
.250	8.2	11.1	M3	1	1.3
.312	17	23	M4	2.2	3
.375	30	40	M5	4.5	6.1
.438	48	65	M6	7.7	10.4
.500	73	99	M8	18.5	25
.562	105	143	M10	37	50
.625	145	200	M12	64	87
.750	260	350	M14	80	108.5
.875	420	565	M16	160	215
1.00	625	850	M20	320	435
			M24	555	750

Frame, Footrest & Engine Guard Section



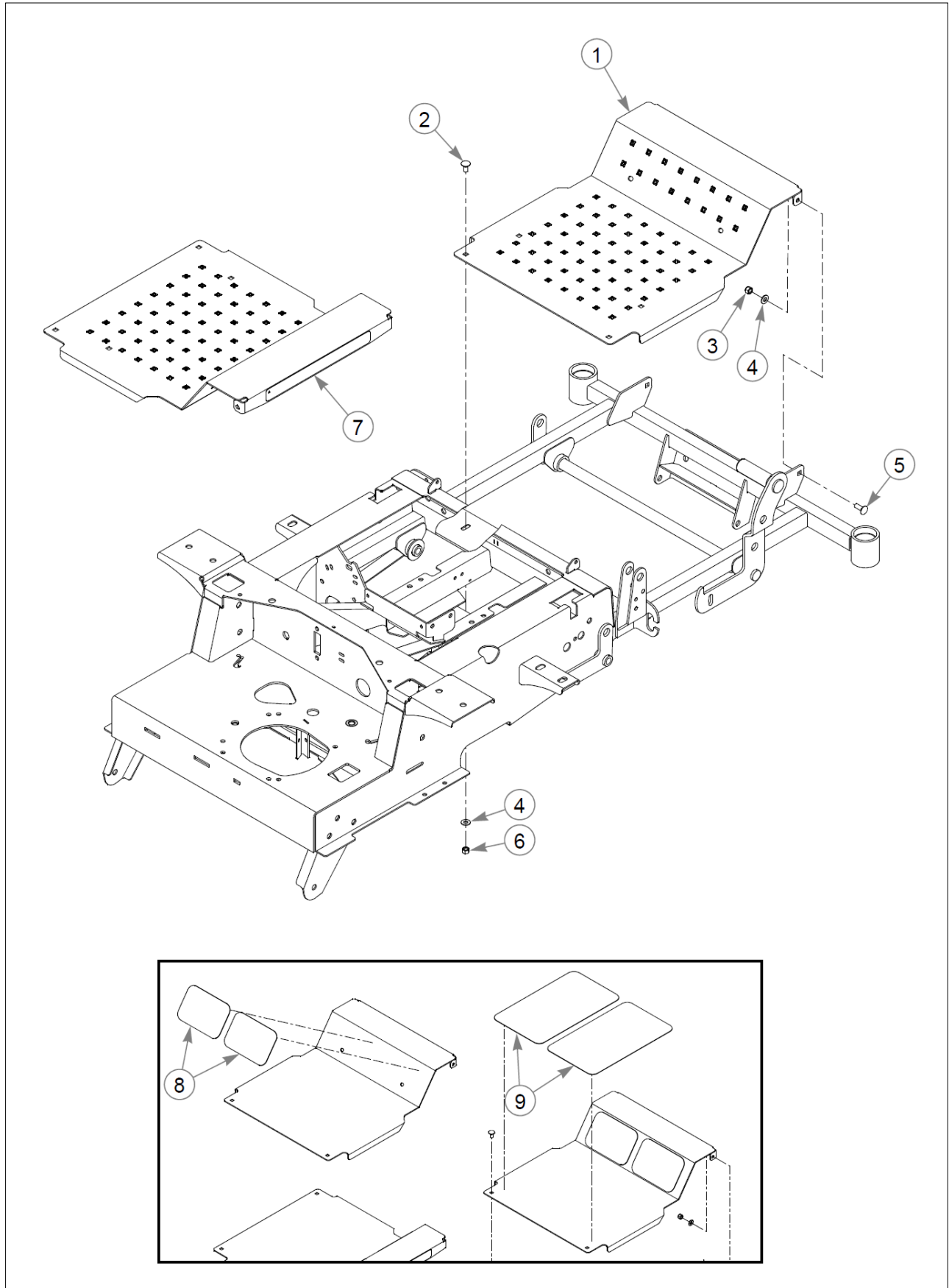
Item	Part No.	Name	Qty	Uom
1	550656	SERVICE FRAME, 48" FST	1	EA
2	601099	DECAL, TOW VALVE	1	EA
3	602041	DECAL, HOT	1	EA
4	601967	DECAL, ENGINE COMPART	1	EA
5	791848	DECAL FUEL INDICATOR- M	1	EA
6	602562	DECAL, NO SERVICE	1	EA
7	784710	DECAL, FASTRAK	1	EA
8	N/A	SERIAL NUMBER / SPEC DECAL	1	EA
9	776310	DECAL, CE MARK	1	EA
10	789776CE	DBA LIMIT DECAL	1	EA
11	600994	RIVET NUT, 3/8-16 THREAD	2	EA
12	808493	RIVET NUT, 3/8-16 THREA	8	EA
13	601069	CN .312-18x.200 MAX THK	2	EA
14	785139	DECAL, STEERING L.S.	1	EA
15	601993	DECAL, SAFE OPERATION	1	EA
16	785220	DECAL, STEERING R.S.	1	EA
17	808485	RIVET NUT, 5/16-18 THRE	1	EA
18	785154CE	DECK HEIGHT DECAL	1	EA

Comments for Page: Frame

jmumford@excelii.com on May 8, 2015

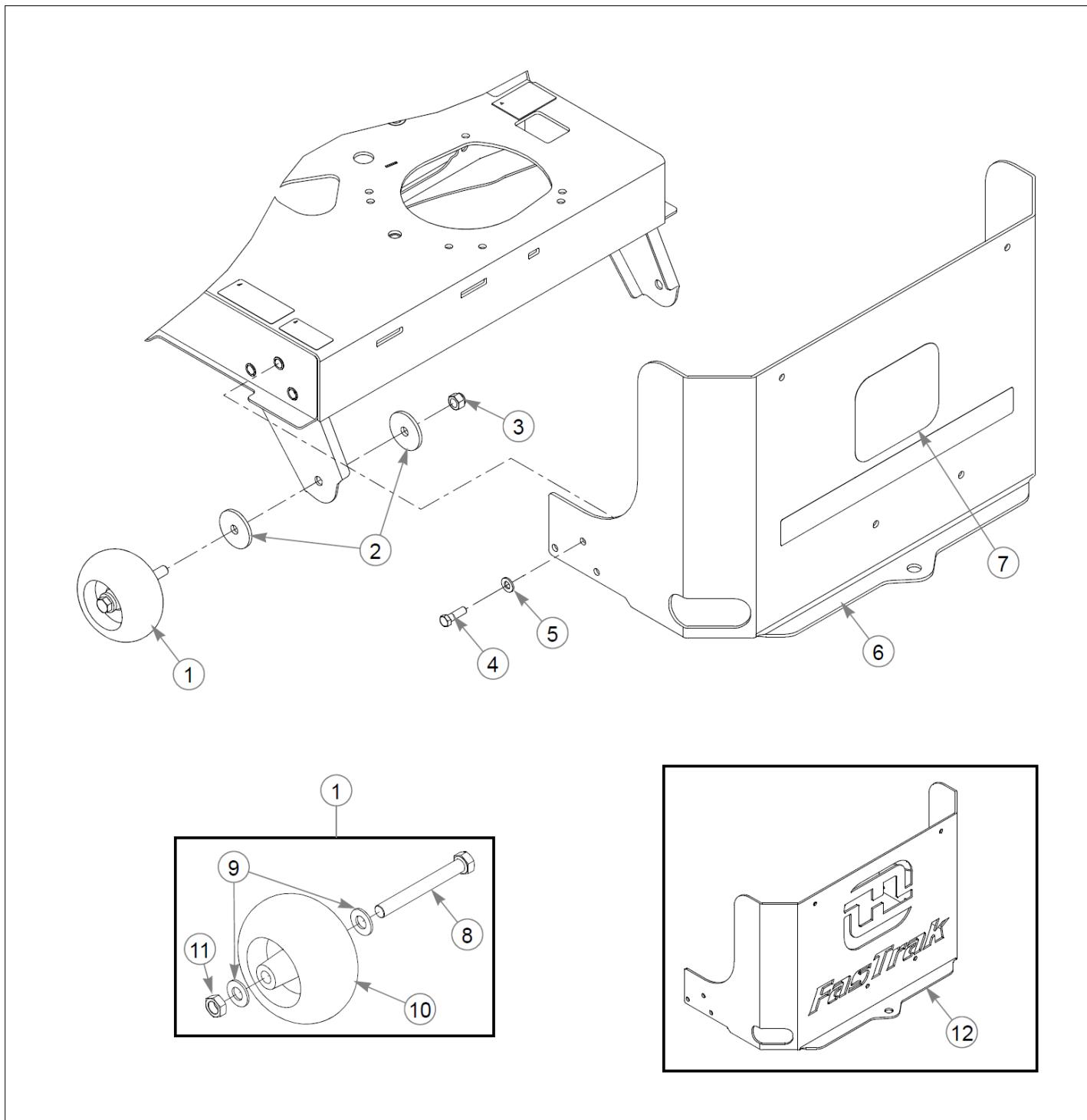
1. In the event the serial number tag becomes damaged or illegible, please contact your Hustler dealer to order a replacement.
2. The frame includes decals and hardware.

Frame, Footrest & Engine Guard Section



Item	Part No.	Name	Qty	Uom
1	108840	FLOOR PAN	1	EA
2	011320	CB .375-16X .750 STD ZN	2	EA
3	086660	NT .375-16NLG5	2	EA
4	767954	FW 0.379 x 0.813 x 0.063	4	EA
5	025395	CB .375-16X 1.00 G5 ZNY	2	EA
6	054502	NT .375-16HXG5	2	EA
7	602407	DECAL, HUSTLER ID	1	EA
8	785485	STEP TREAD, UPPER 5.00	2	EA
9	785493	STEP TREAD, LOWER 9.00	2	EA

Frame, Footrest & Engine Guard Section



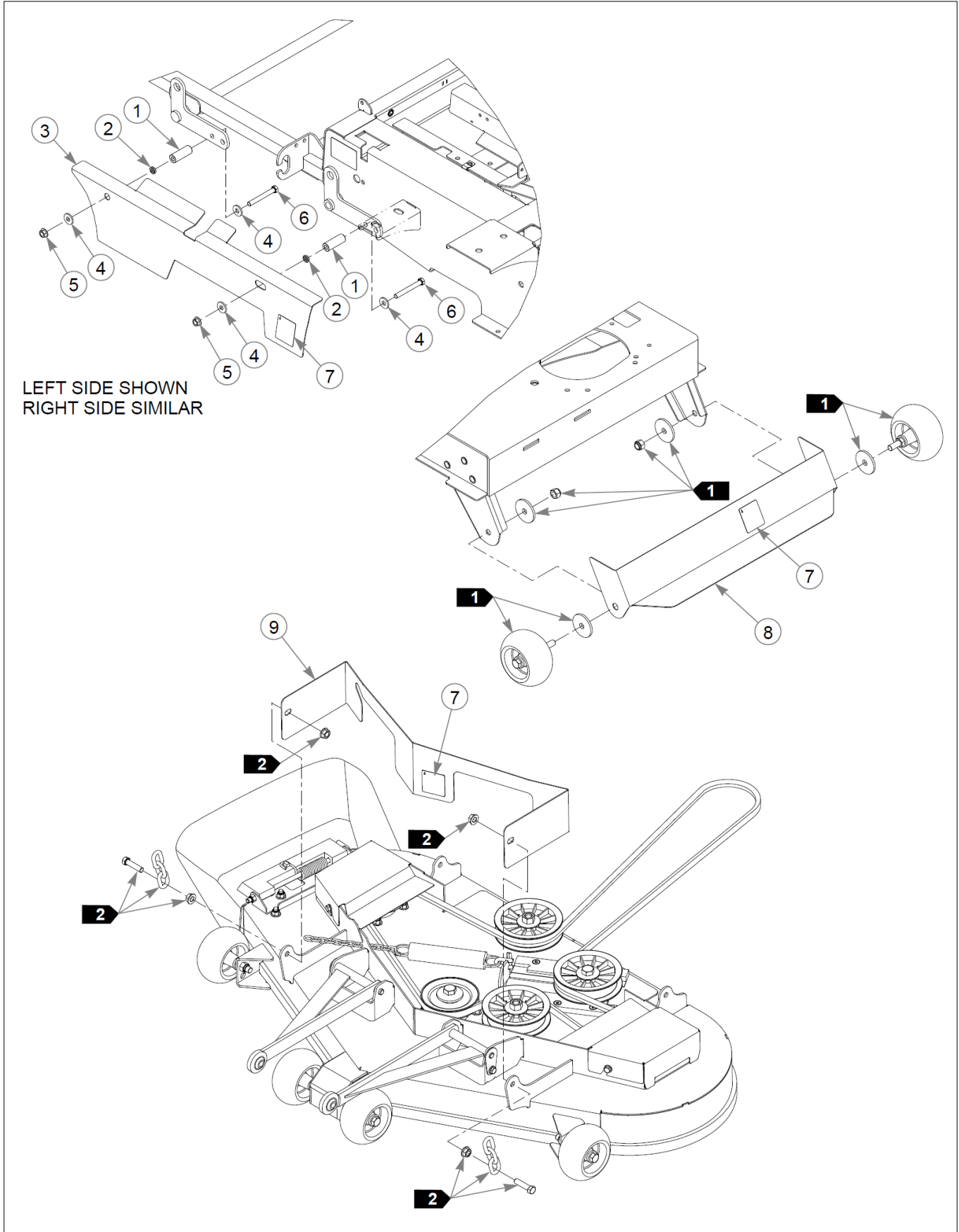
Item	Part No.	Name	Qty	Uom
1	788166	WHEEL ASSY, ANTI SCALP	2	EA
2	344267	FW .510X 2.15X.187 SPL	4	EA
3	781567	NT .500-13NLG5	2	EA
4	052860	CS .375-16X1.250 HX G5	6	EA
5	767954	FW 0.379 x 0.813 x 0.063	6	EA
6	552176	SERVICE ENGINE GUARD	1	EA
7	604352	DECAL, H LOGO	1	EA
8	781708	CS .500-13X4.250HXG5	1	EA
9	767962	FW .531 x 1.063 x .175	2	EA
10	031997	ANTI-SCALP WHEEL	1	EA
11	053199	NT .500-13JAMG5	1	EA
12	107840	ENGINE GUARD, FASTRAK	1	EA

Comments for Page: Engine Guard

jmumford@excelii.com on May 8, 2015

1. The anti-scalp wheel assembly includes hardware.
2. The engine guard (552176) includes the decal (604352).

Frame, Footrest & Engine Guard Section



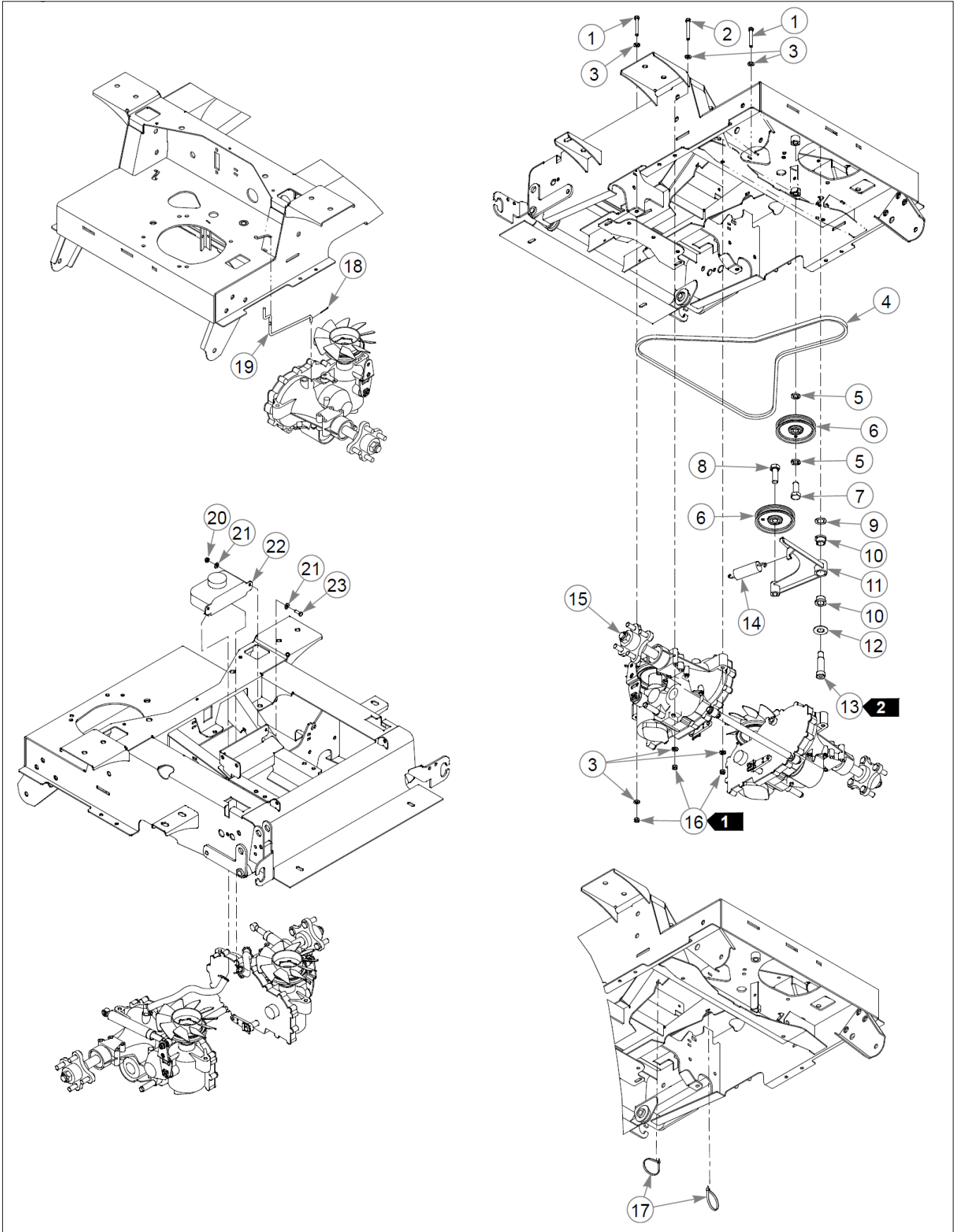
Item	Part No.	Name	Qty	Uom
1	120223	SHIELD STANDOFF BOSS	4	EA
2	605404	PIVOT BUSHING	4	EA
3	553002	LS DECK GUARD	1	EA
4	712919	FW 0.406X1.000X0.120HD	8	EA
5	016899	NT .375-16 FLKG5	4	EA
6	016444	CS .375-16X3.000HXG5	4	EA
7	602562	DECAL, NO SERVICE	4	EA
8	553004	CLUTCH GUARD	1	EA
9	553003	FRONT DECK GUARD	1	EA
10	553001	RS DECK GUARD	1	EA

Comments for Page: Guards

jmumford@excelii.com on May 8, 2015

1. Part of the engine guard assembly.
2. Part of the deck lift assembly.
3. All guards include decals.

Transmission & Steering Section



Item	Part No.	Name	Qty	Uom
1	710087	CS .312-18X2.500HXG5	4	EA
2	038828	CS .312-18X2.250HXG5	4	EA
3	768523	FW 0.343SAE	16	EA
4	600979	BELT, FASTRAK PUMP DRIVE	1	EA
5	028118	FW 0.625X1.000X0.134	2	EA
6	786848	PULLEY, IDLER 4"od x .6	2	EA
7	794446	CS .625-11X1.500HXG5	1	EA
8	025007	CS .62511X1.750HXG5	1	EA
9	704791	FW 0.781X1.250X0.024	1	EA
10	781153	BUSHING, UHMW	2	EA
11	107881	PUMP IDLER W/A, FASTRAK	1	EA
12	025296	FW .760X1.625X0.080	1	EA
13	601084	SB .750X 2.000 SH.625-11	1	EA
14	036384	SPRING 1/4 COIL PL 1.23	1	EA
15	N/A	TRANSMISSION ASSEMBLY	1	EA
16	034272	NT .312-18HXG5	8	EA
17	000331	WIRE TIE, SMALL/SHORT	2	EA
18	048553	CP .062DX1.000 LG HML Z	2	EA
19	601088	TOW LINK ROD 48/54	2	EA
20	068551	NT .250-20 HXZY NL	2	EA
21	768515	FW 0.281SAE	4	EA
22	600759	OVERFLOW TANK ASSY	1	EA
Not Shown	600767	CAP, OVERFLOW TANK	1	EA
23	055939	CS .250-20X0.750HXG5	2	EA

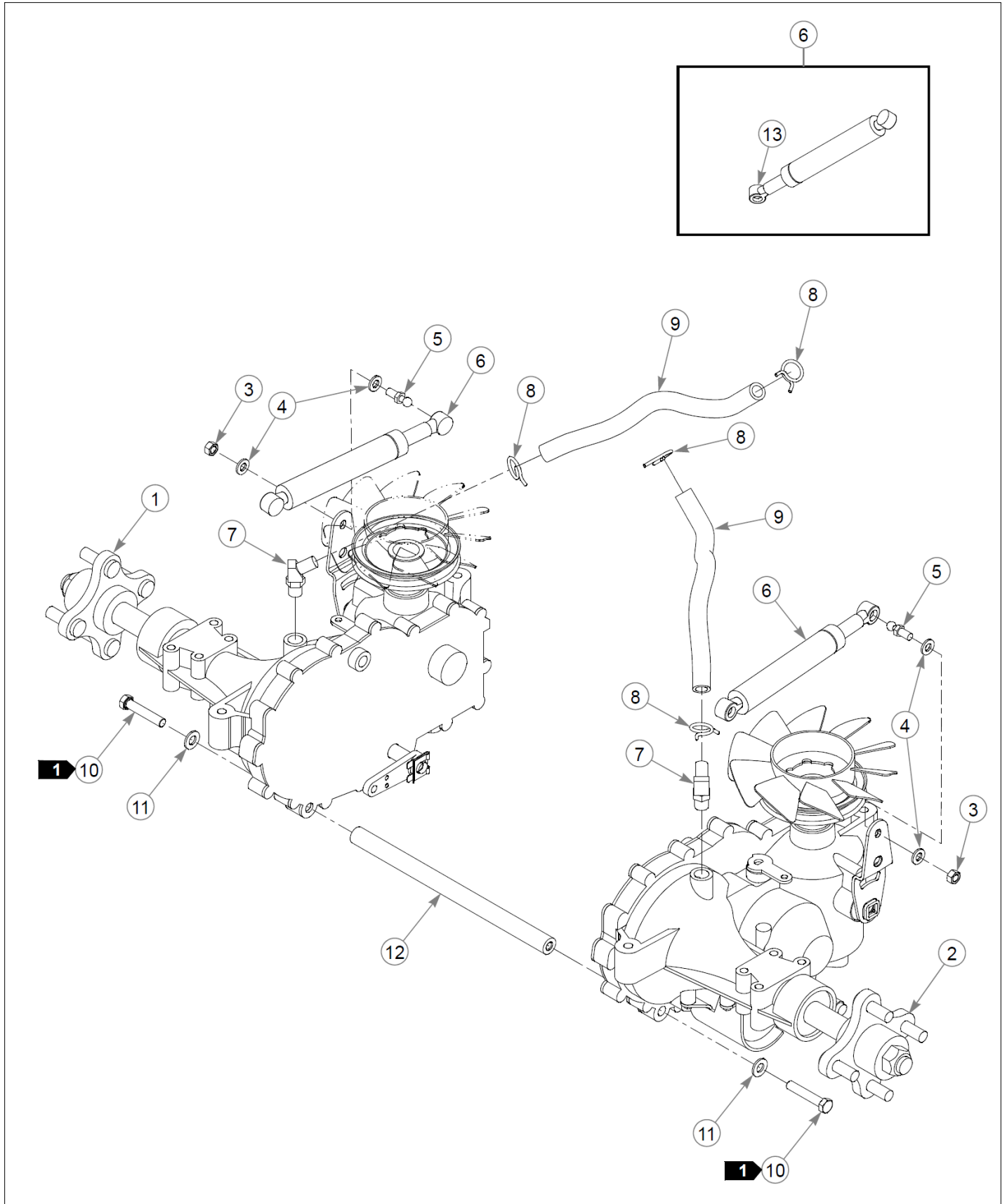
Comments for Page: Hydraulic Transmission - ZT3100

jmumford@excelii.com on May 8, 2015

1. Torque to 17 ft-lbs.
2. Torque to 100 ft-lbs.

3. The overflow tank (600759) includes the cap (600767).

Transmission & Steering Section



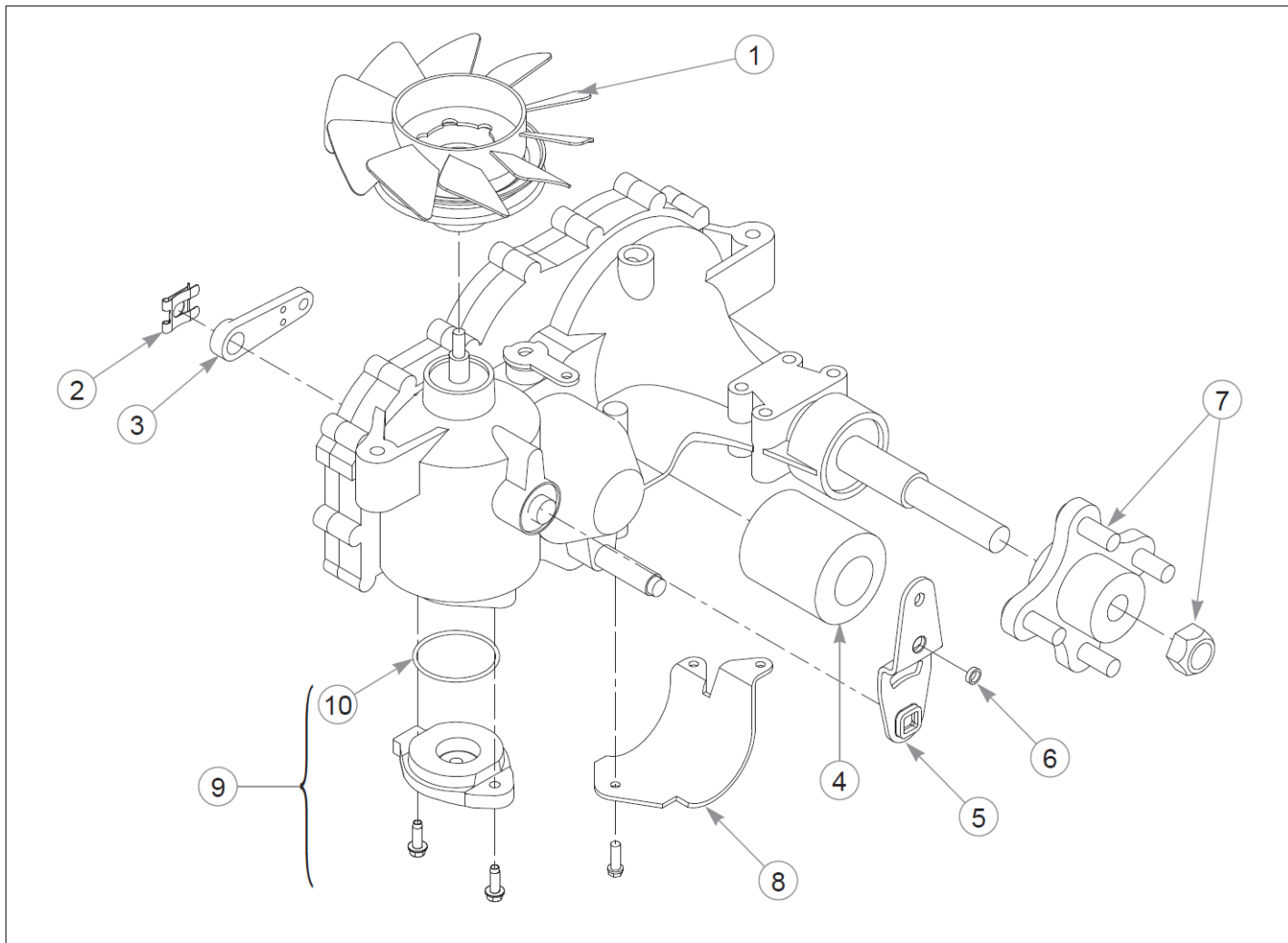
Item	Part No.	Name	Qty	Uom
1	604432	ZT3100, 24.74:1 LH TRANS	1	EA
2	604431	ZT3100, 24.74:1 RH TRANS	1	EA
3	034272	NT .312-18HXG5	2	EA
4	768523	FW 0.343SAE	4	EA
5	781922	BALL STUD, DAMPER	2	EA
6	600221	DAMPER, STEERING	2	EA
7	600880	HYD FITTING, 45 DEG	2	EA
8	601001	SPRING CLAMP, .75" DIA	4	EA
9	601018	OVERFLOW HOSE	2	EA
10	016410	CS .375-16X2.000HXG5	2	EA
11	767954	FW 0.379 x 0.813 x 0.063	2	EA
12	600987	ZT SPACER TUBE	1	EA
13	601426	CAP LOCK	1	EA

Comments for Page: Transmission Assembly - ZT3100

jmumford@excelii.com on May 8, 2015

1. Torque to 41 N-m.

Transmission & Steering Section



Item	Part No.	Name	Qty	Uom
1	601941	FAN/PULLEY KIT	1	EA
2	600972	CLIP, RETAINING	1	EA
3	601221	ZT2800 BRAKE ARM - 2007	1	EA
4	600976	FILTER, OIL	1	EA
5	604871	PUMP ARM	1	EA
6	604456	SPACER, PUMP ARM	1	EA
7	601433	KIT, HUB 4 BOLT	1	EA
<p>Comments for Part Num. 601433</p> <p>parts@excelii.com on May 7, 2015 CUSTOMER SERVICE NOTE: Lug Studs are not sold separately.</p>				
8	600975	GUARD, FILTER, LH	1	EA
Not Shown	600974	GUARD, FILTER, RH	1	EA
9	603572	COVER, ZT3100 CHR G PUMP	1	EA
10	603223	O-RING, ZT28/3100 CHARGE	1	EA

Comments for Page: Transmission Service Parts

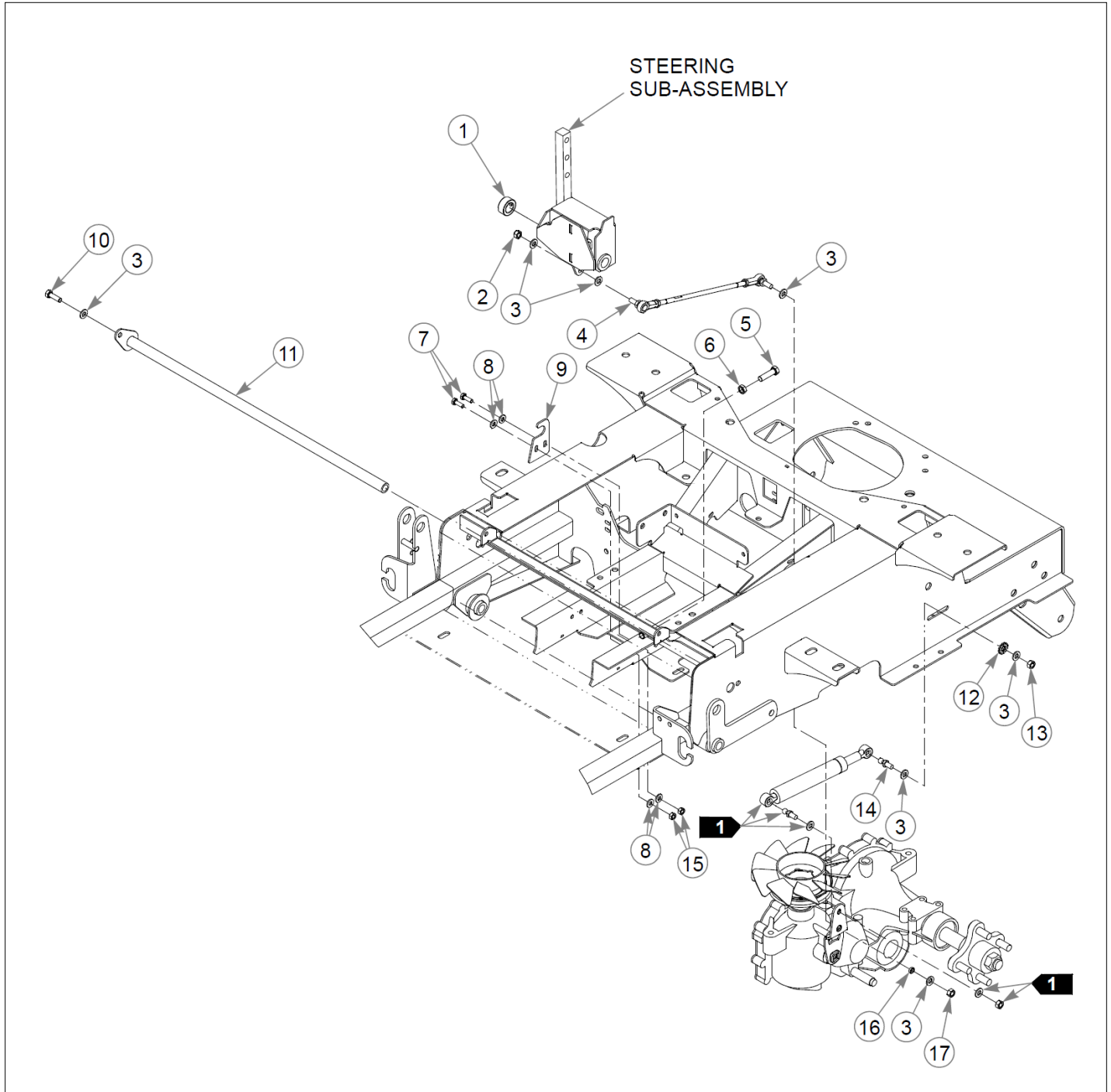
jmumford@excelii.com on Feb 13, 2015

1. The charge cover kit includes the O-ring.

jmumford@excelii.com on May 8, 2015

1. The charge cover kit (603572) includes the O-ring (603223).

Transmission & Steering Section



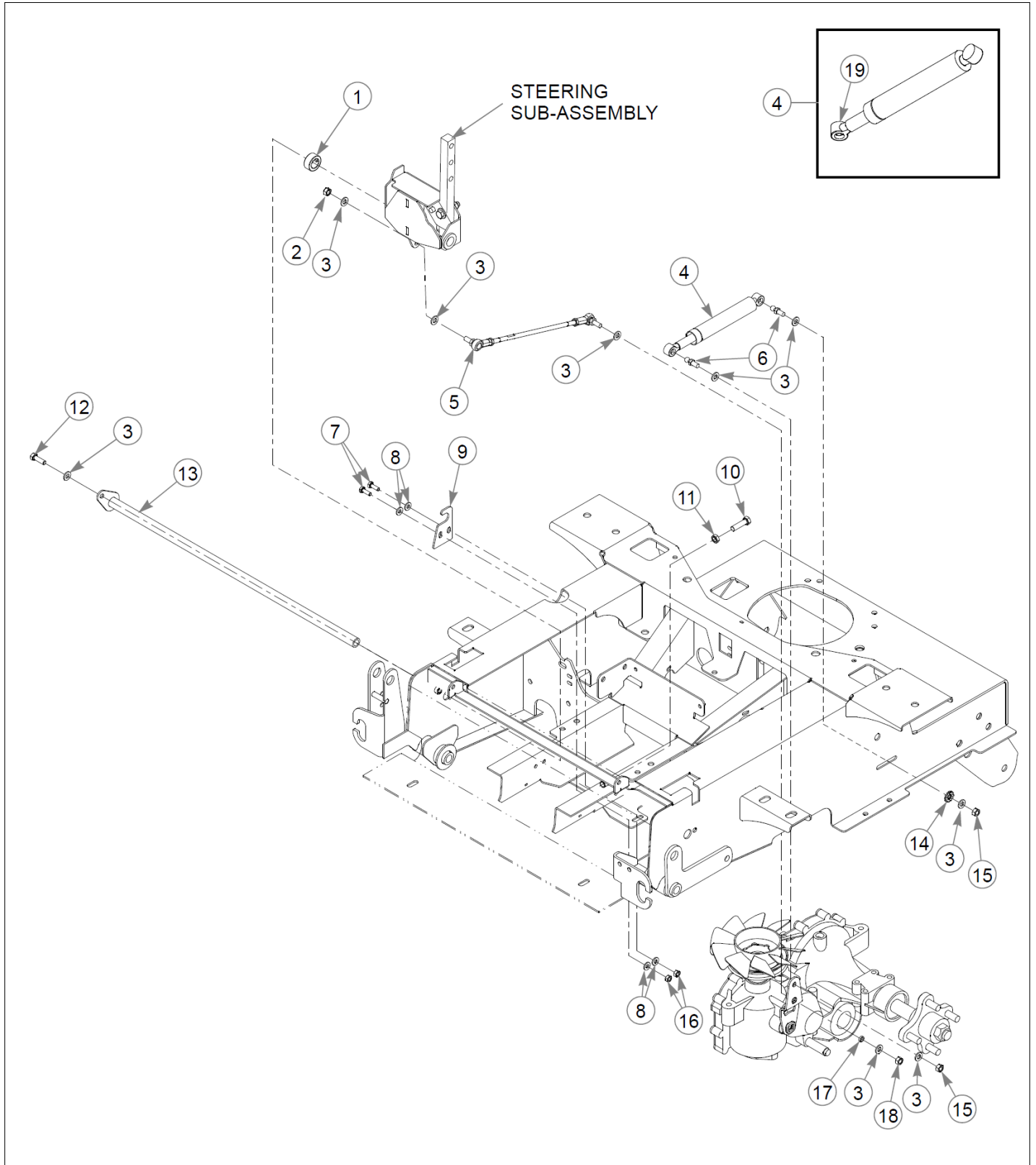
Item	Part No.	Name	Qty	Uom
1	784439	LOCK COLLAR,0.757 ID(FS)	2	EA
2	023655	NT .312-24NLG5	2	EA
3	768523	FW 0.343SAE	13	EA
4	600981	PUMP ROD ASSEMBLY	2	EA
5	005116	CS .375-16X1.375	2	EA
6	706168	NT .375-16JAMG5	2	EA
7	055939	CS .250-20X0.750HXG5	4	EA
8	768515	FW 0.281SAE	8	EA
9	108968	STEER TUBE SUPPORT	2	EA
10	036236	CS .312-18X1.000HXG5	1	EA
11	361295	PIVOT TUBE W/A PLATED	1	EA
12	029876	LW0.325INTEXT	2	EA
13	034272	NT .312-18HXG5	2	EA
14	781922	BALL STUD, DAMPER	2	EA
15	024927	NT .250-20HXG5	4	EA
16	604456	SPACER, PUMP ARM	2	EA
17	041152	NT .312-24 HX ZNYC	2	EA

Comments for Page: Steering - SN 13023176 & Higher

jmumford@excelii.com on May 8, 2015

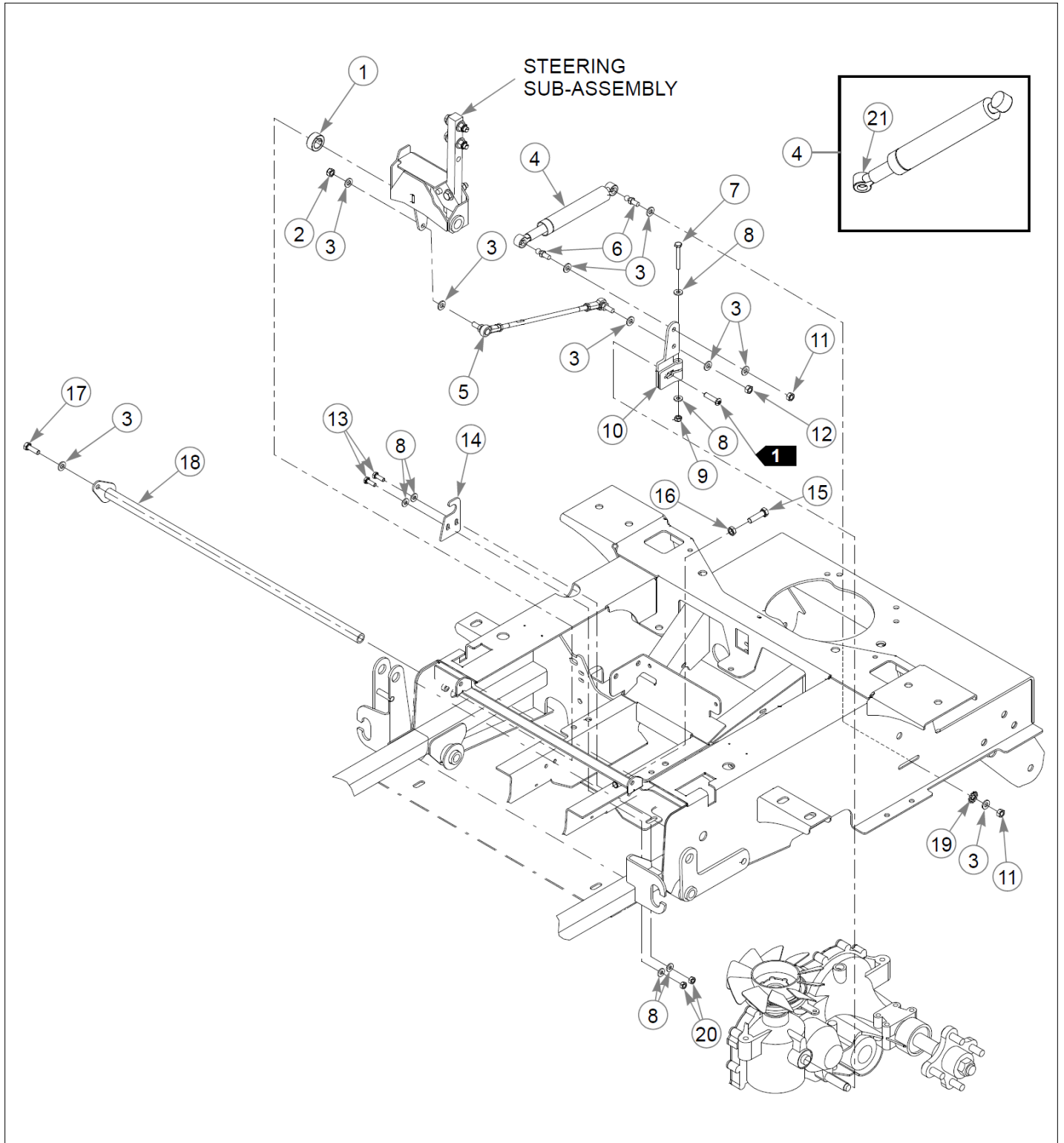
1. Part of the Transmission Assembly.

Transmission & Steering Section



Item	Part No.	Name	Qty	Uom
1	784439	LOCK COLLAR,0.757 ID(FS)	2	EA
2	023655	NT .312-24NLG5	2	EA
3	768523	FW 0.343SAE	17	EA
4	600221	DAMPER, STEERING	2	EA
5	600981	PUMP ROD ASSEMBLY	2	EA
6	781922	BALL STUD, DAMPER	4	EA
7	055939	CS .250-20X0.750HXG5	4	EA
8	768515	FW 0.281SAE	8	EA
9	108968	STEER TUBE SUPPORT	2	EA
10	005116	CS .375-16X1.375	2	EA
11	706168	NT .375-16JAMG5	2	EA
12	036236	CS .312-18X1.000HXG5	1	EA
13	361295	PIVOT TUBE W/A PLATED	1	EA
14	029876	LW0.325INTEXT	2	EA
15	034272	NT .312-18HXG5	4	EA
16	024927	NT .250-20HXG5	4	EA
17	604456	SPACER, PUMP ARM	2	EA
18	041152	NT .312-24 HX ZNYC	2	EA
19	601426	CAP LOCK	1	EA

Transmission & Steering Section



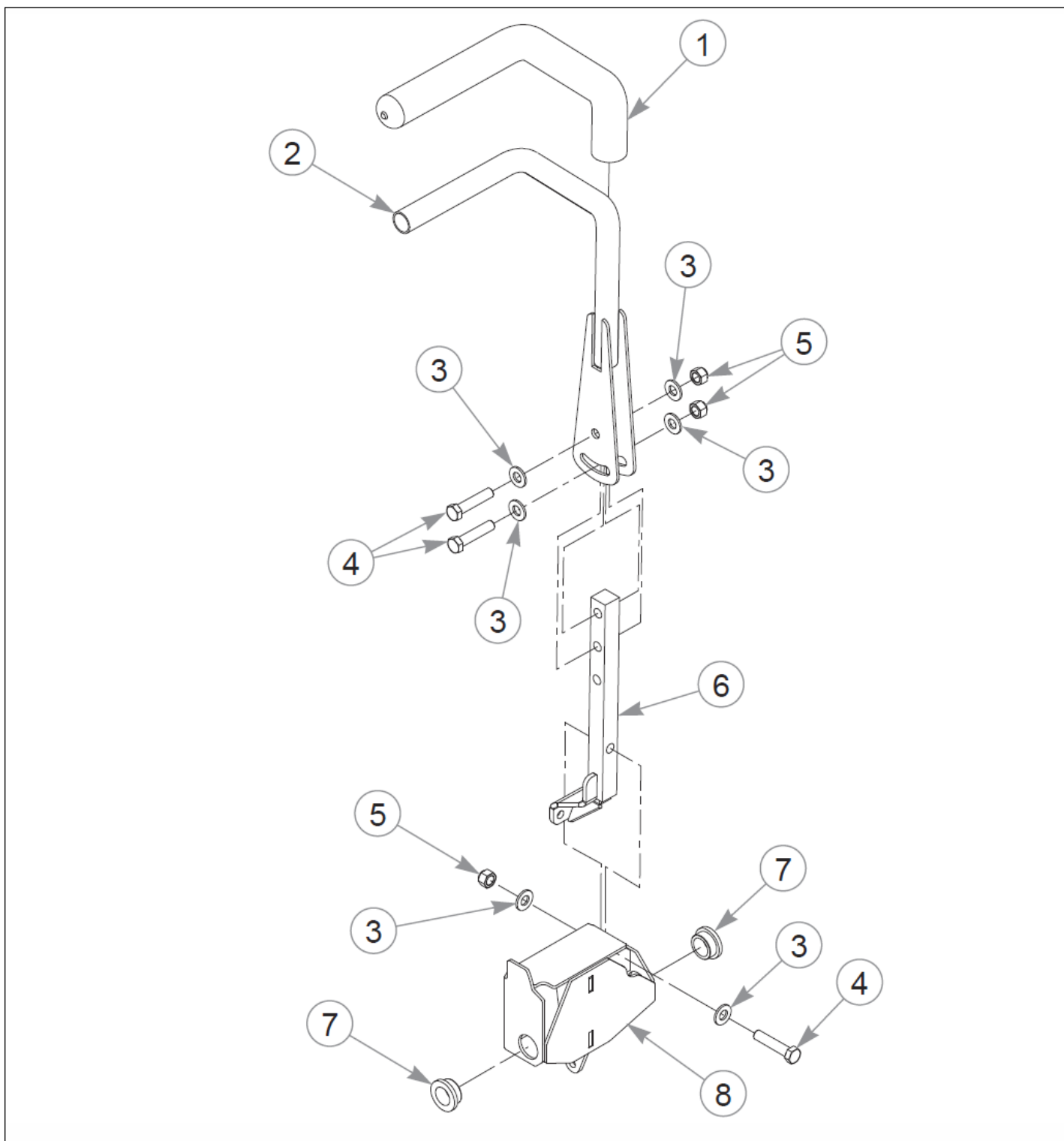
Item	Part No.	Name	Qty	Uom
1	784439	LOCK COLLAR,0.757 ID(FS)	2	EA
2	023655	NT .312-24NLG5	2	EA
3	768523	FW 0.343SAE	17	EA
4	600221	DAMPER, STEERING	2	EA
5	600981	PUMP ROD ASSEMBLY	2	EA
6	781922	BALL STUD, DAMPER	4	EA
7	704163	CS .250-20X2.000HXG5	2	EA
8	768515	FW 0.281SAE	12	EA
9	068551	NT .250-20 HXZY NL	2	EA
10	109318	PUMP ARM, ZT2800	2	EA
11	034272	NT .312-18HXG5	4	EA
12	041152	NT .312-24 HX ZNYC	2	EA
13	055939	CS .250-20X0.750HXG5	4	EA
14	108968	STEER TUBE SUPPORT	2	EA
15	005116	CS .375-16X1.375	2	EA
16	706168	NT .375-16JAMG5	2	EA
17	036236	CS .312-18X1.000HXG5	1	EA
18	361295	PIVOT TUBE W/A PLATED	1	EA
19	029876	LW0.325INTEXT	2	EA
20	024927	NT .250-20HXG5	4	EA
21	601426	CAP LOCK	1	EA

Comments for Page: Steering - S/N Prior to 12120454, S/N 12121265 to 12121535

jmumford@excelii.com on May 8, 2015

1. Supplied with the transmission.

Transmission & Steering Section



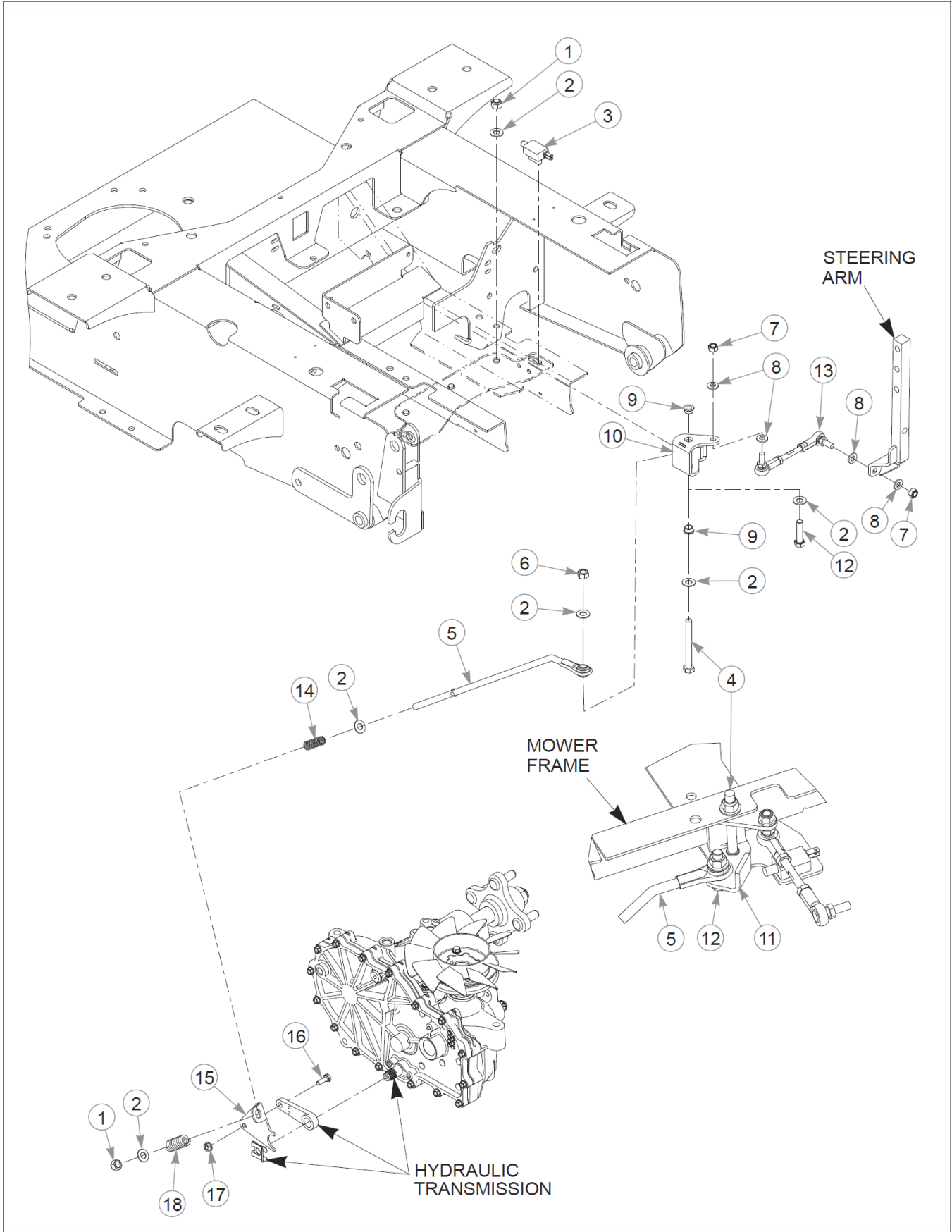
Item	Part No.	Name	Qty	Uom
1	781260	GRIP, STEERING BAR	2	EA
2	360487	STEERING BAR W/A	2	EA
3	767954	FW 0.379 x 0.813 x 0.063	12	EA
4	705178	CS .375-16X1.750HXG5	6	EA
5	086660	NT .375-16NLG5	6	EA
6	107843	STEERING ARM W/A, LEFT	1	EA
REF	107842	STEERING ARM W/A, RIGHT	1	EA
7	770867	BUSHING, PLAS .750x1(FS)	4	EA
8	107848	LH STEER PIVOT W/A	1	EA
REF	107847	RH STEER PIVOT W/A	1	EA

Comments for Page: Steering Assembly

jmumford@excelii.com on Apr 21, 2014

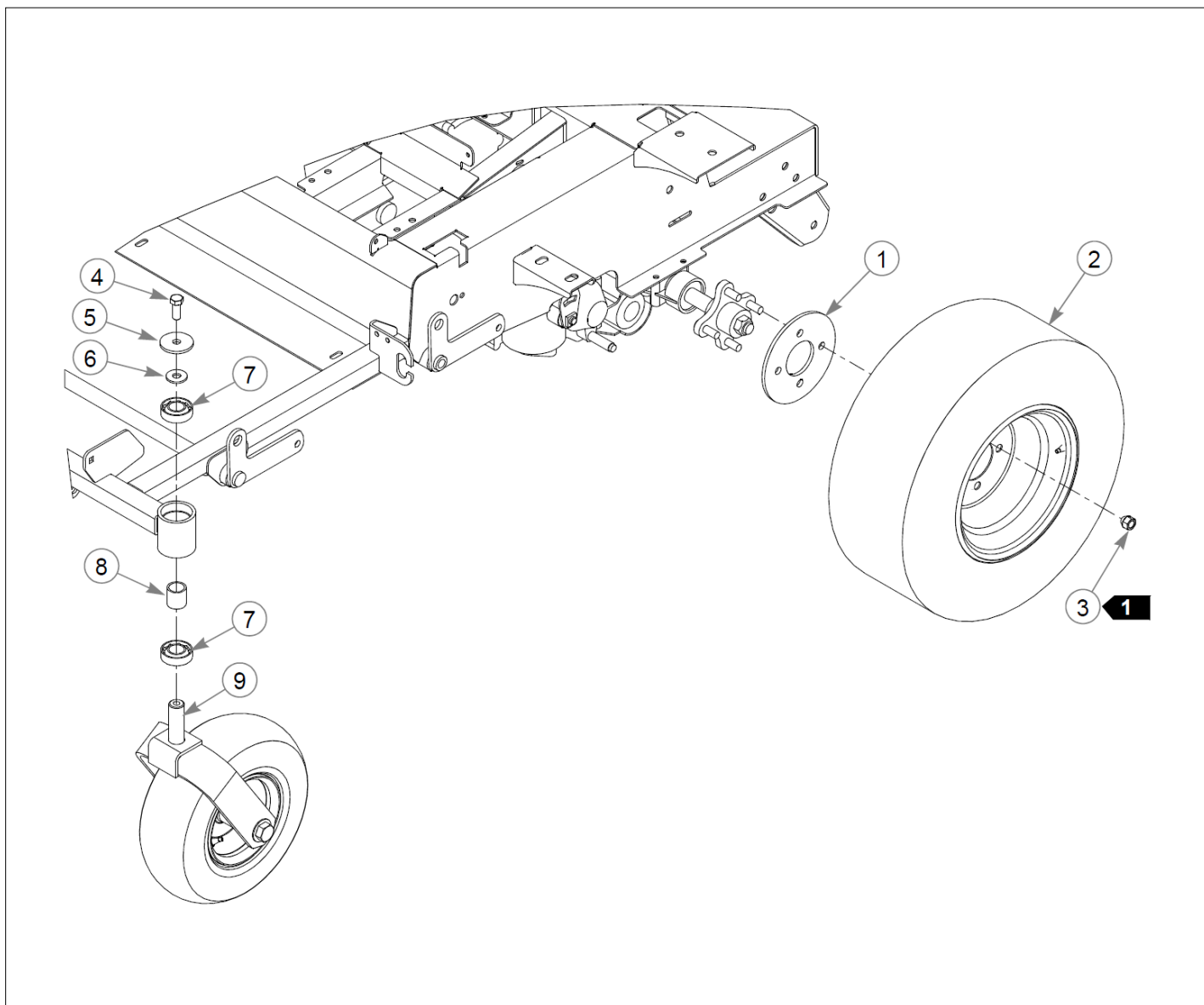
1. The steering bar (360487) includes the grip (781260).

Transmission & Steering Section



Item	Part No.	Name	Qty	Uom
1	086660	NT .375-16NLG5	4	EA
2	767954	FW 0.379 x 0.813 x 0.063	12	EA
3	601087	SWITCH, PLUNGER N.O.	2	EA
4	005108	CS .375-16X3.500HXG5	2	EA
5	601410	BRAKE ROD ASSEMBLY SD	2	EA
6	054502	NT .375-16HXG5	2	EA
7	023655	NT .312-24NLG5	4	EA
8	768523	FW 0.343SAE	8	EA
9	765339	BUSHING,IGUS#0608 (FS)	4	EA
10	107893	BRAKE BELL CRANK, LS	1	EA
11	107892	BRAKE BELL CRANK, RS	1	EA
12	080655	CS .375-16X1.500HXG5	2	EA
13	600991	SHORT BRAKE LINK ROD	2	EA
14	601131	SPRING, BRAKE ARM RET.	2	EA
15	109203	BRAKE SPRING LINK, LS	1	EA
REF	109202	BRAKE SPRING LINK, RS	1	EA
16	055939	CS .250-20X0.750HXG5	2	EA
17	016816	NT .250-20FLKG5	2	EA
18	601051	OVERTRAVEL SPRING	2	EA

Wheels & Tires Section



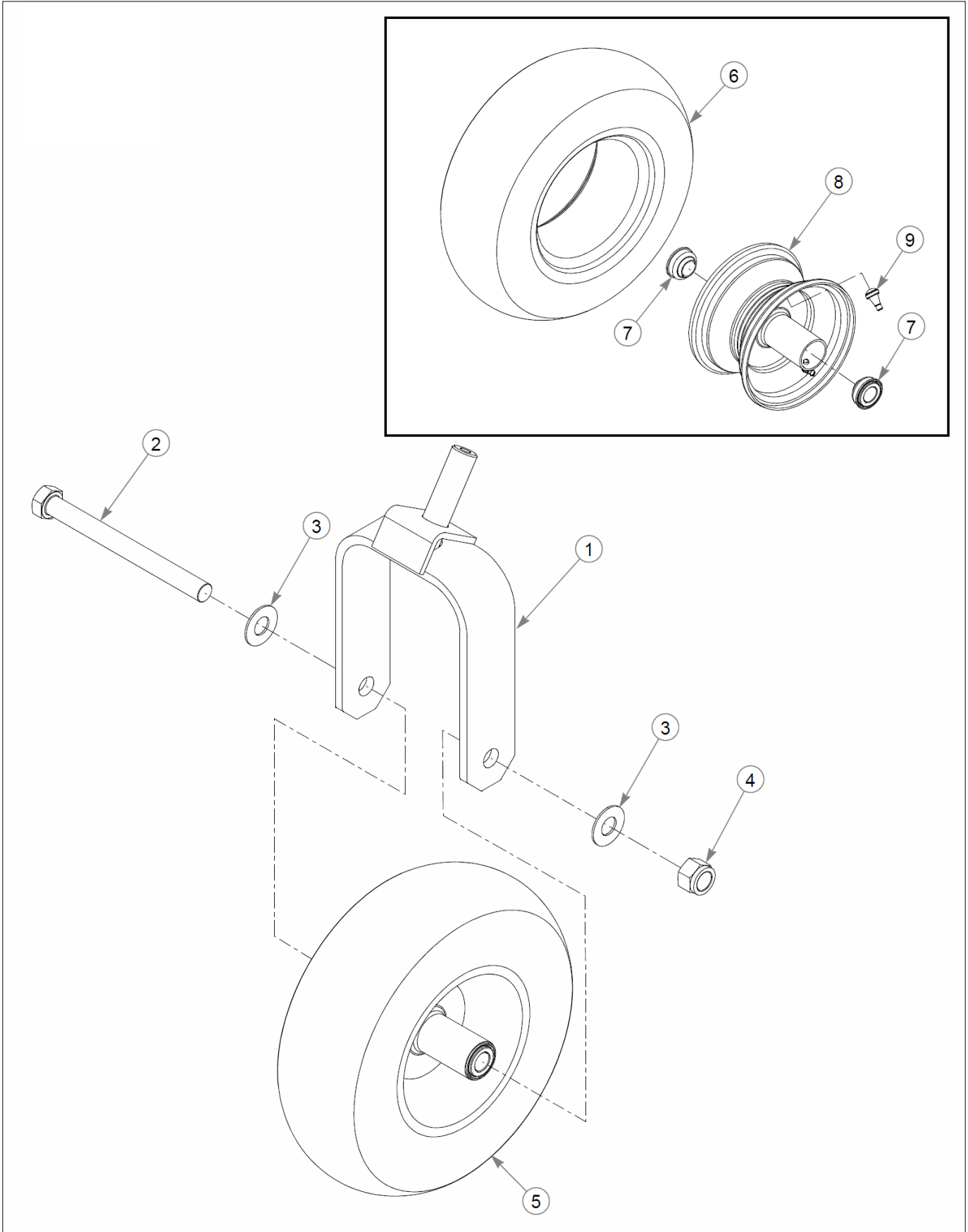
Item	Part No.	Name	Qty	Uom
1	111875	BACKUP PLATE, WHEEL	2	EA
2	600668	TIRE/WHEEL ASSY 20x10-10	2	EA
3	061077	WHEEL NUT	8	EA
4	705954	CS .500-13X1.250HSG5	2	EA
5	344267	FW .510X 2.15X.187 SPL	2	EA
6	712976	FW 0.531X1.375X0.125	2	EA
7	784223	BEARING	4	EA
8	784603	SPACER	2	EA
9	N/A	FRONT TIRE ASSEMBLY	1	EA

Comments for Page: Wheel & Tire

jmumford@excelii.com on May 8, 2015

1. Torque to 88–102 N-m.

Wheels & Tires Section



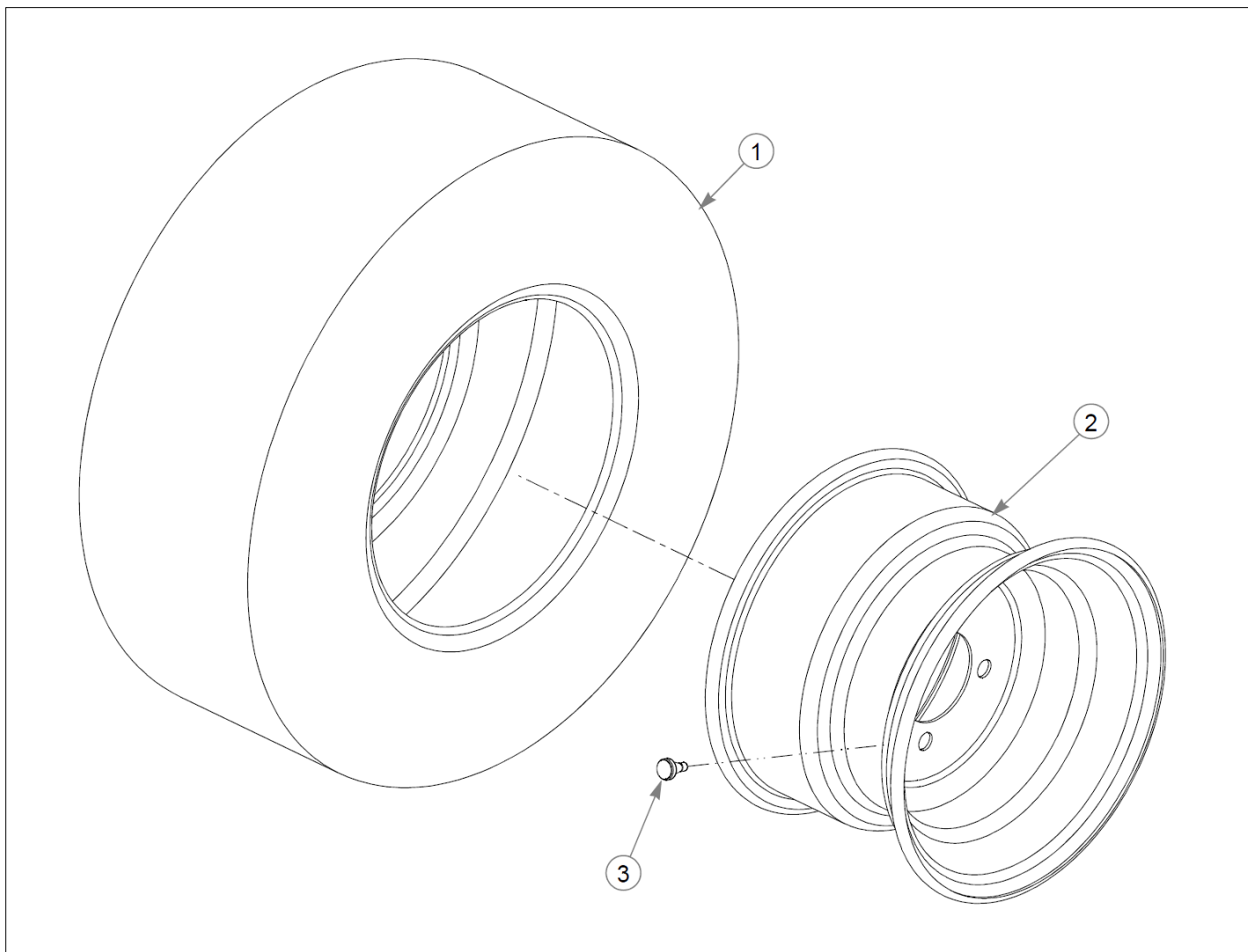
Item	Part No.	Name	Qty	Uom
1	366625	FORK W/A MINI Z	1	EA
2	786731	CS .750-10X8.000HXG5	1	EA
3	025296	FW .760X1.625X0.080	2	EA
4	061101	NT .750-10 HX ZY NL GR B	1	EA
5	605038	TIRE/WHEEL ASSY 13X5.00	1	EA
6	605039	TIRE 13X5.0-6 SMOOTH	1	EA
REF	747402	TIRE 13x5-6 4PLY RIB TL	1	EA
7	786103	WHEEL BEARING	2	EA
8	786079	WHEEL	1	EA
9	019521	TIRE VALVE TR-412 GOODY	1	EA

Comments for Page: Front Tire Breakdown

jmumford@excelii.com on May 8, 2015

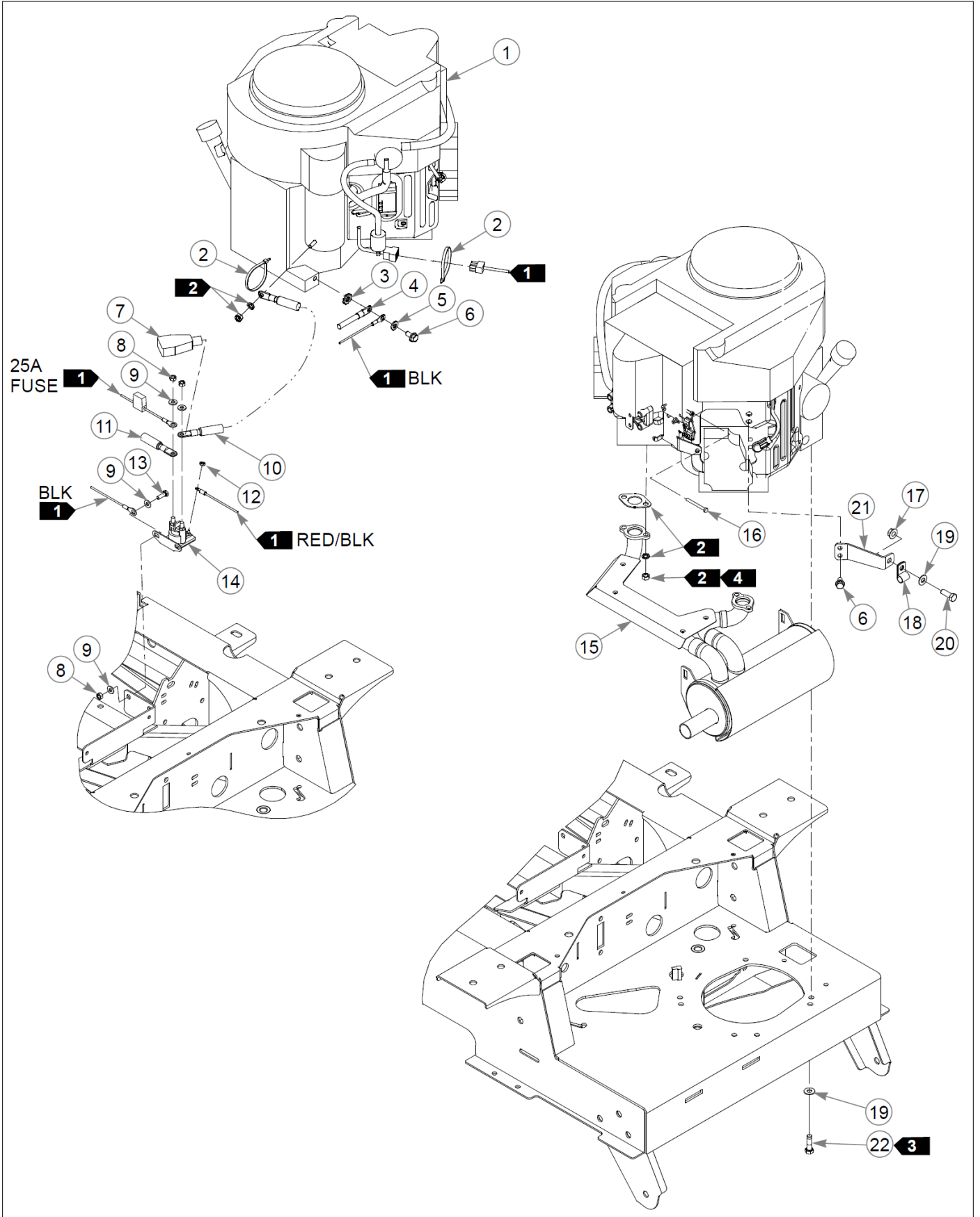
1. 605039 is the smooth tire.
2. 747402 is the ribbed tire.

Wheels & Tires Section

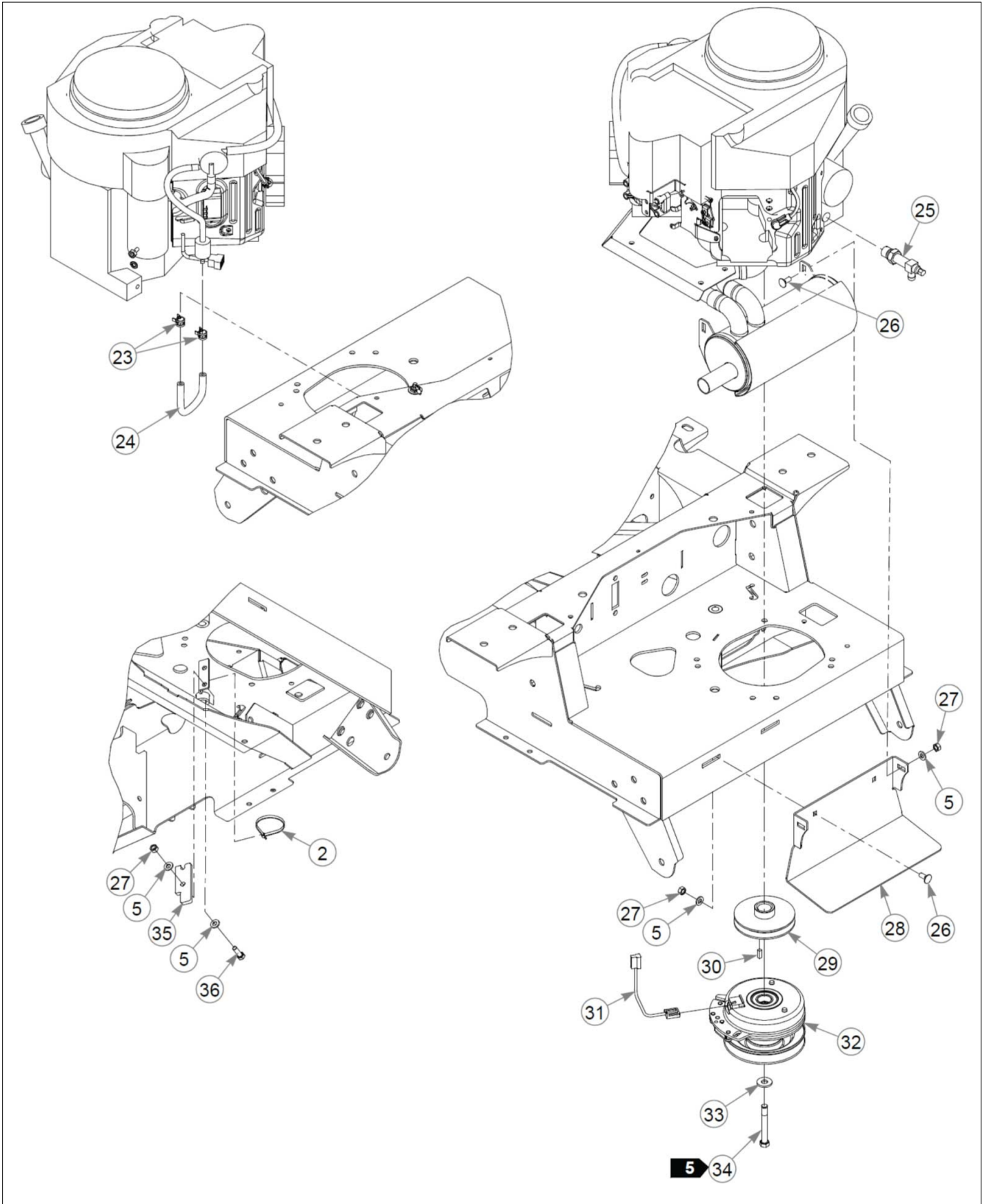


Item	Part No.	Name	Qty	Uom
1	600684	TIRE 20X10-10	1	EA
2	600700	WHEEL 10X7 RIM, 4-4BC	1	EA
3	019521	TIRE VALVE TR-412 GOODY	1	EA

Engine & Fuel Tank Section



Item	Part No.	Name	Qty	Uom
1		ENGINE, KAW FS651V	1	EA
2	000331	WIRE TIE, SMALL/SHORT	3	EA
3	029876	LW0.325INTEXT	1	EA
4	796219	BATTERY CABLE,NEG 36" D	1	EA
5	768523	FW 0.343SAE	9	EA
6	720516	CS M8-1.25X16HX FL10.9	3	EA
7	771428	BATTERY CBL BOOT-RED(FS)	1	EA
8	024927	NT .250-20HXG5	4	EA
9	768515	FW 0.281SAE	6	EA
10	601062	BATTERY CABLE, POS.	1	EA
11	601312	BATTERY CABLE, POS.	1	EA
12	044255	NT #10-32HXG5	1	EA
13	055939	CS .250-20X0.750HXG5	2	EA
14	030817	STARTER SOLENOID HW KIT	1	EA
15	602704	MUFFLER, FS730V FSD	1	EA
16	603524	CS M5-0.8 X 50 MM	1	EA
17	016899	NT .375-16 FLKG5	1	EA
18	000398	CLAMP	1	EA
19	767954	FW 0.379 x 0.813 x 0.063	5	EA
20	036244	CS .375-16X1.000HXG5	1	EA
21	113970	CABLE GUIDE	1	EA
22	602580	CS .375-16x1.25 HXG8 P85	4	EA
23	000323	CLIP, HOSE CLAMP	2	EA
24	015818	FUEL LINE, 1/4"	20 cm	FT
25	796524	VALVE,OIL DRAIN M20x2.5	1	EA
26	016253	CB .312-18X .750 FUL ZN	4	EA
27	034272	NT .312-18HXG5	6	EA
28	112828	EXHAUST MOUNT	1	EA
29	799429	PULLEY, A SEC, 4.5 OD	1	EA



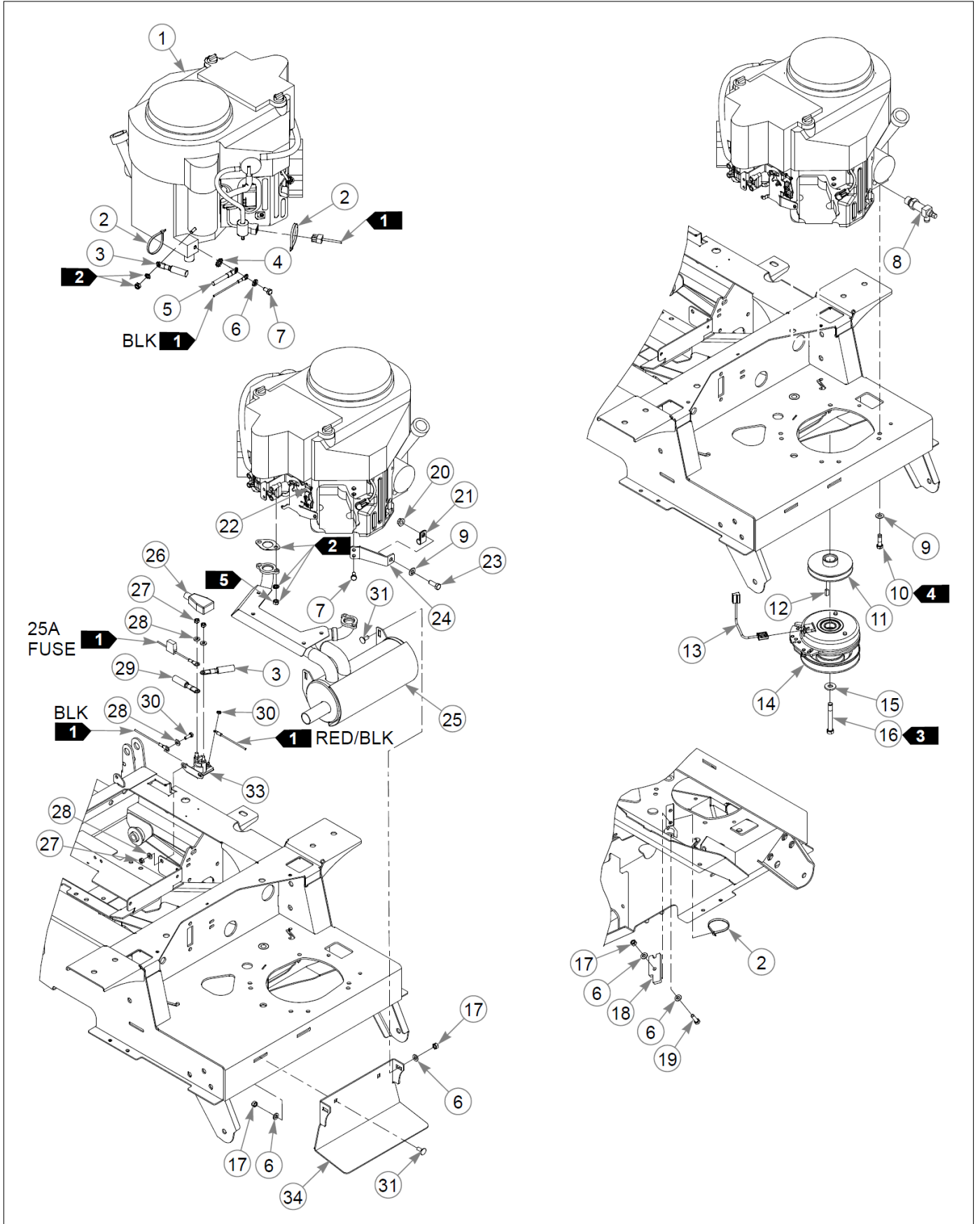
Item	Part No.	Name	Qty	Uom
30	712372	KEY 1/4 SQ X 0.66 LG(FS)	1	EA
31	791251	HARNESS, CLUTCH PIGTAIL	1	EA
<p>Comments for Part Num. 791251</p> <p>parts@excelii.com on Aug 28, 2015</p> <p>Pigtail was updated with epoxy to hold the wires steady. The wire sheath was also updated to a more flexible material.</p>				
32	601784K	CLUTCH KIT	1	EA
33	602680	FW .453X 1.12X .119 HRD	1	EA
34	601834	CS .437-20X3.25 HXG5 P85	1	EA
35	113946	CLUTCH ANCHOR	1	EA
36	036236	CS .312-18X1.000HXG5	2	EA

Comments for Page: Engine, Kawasaki FS651V - S/N 12042555 & Higher

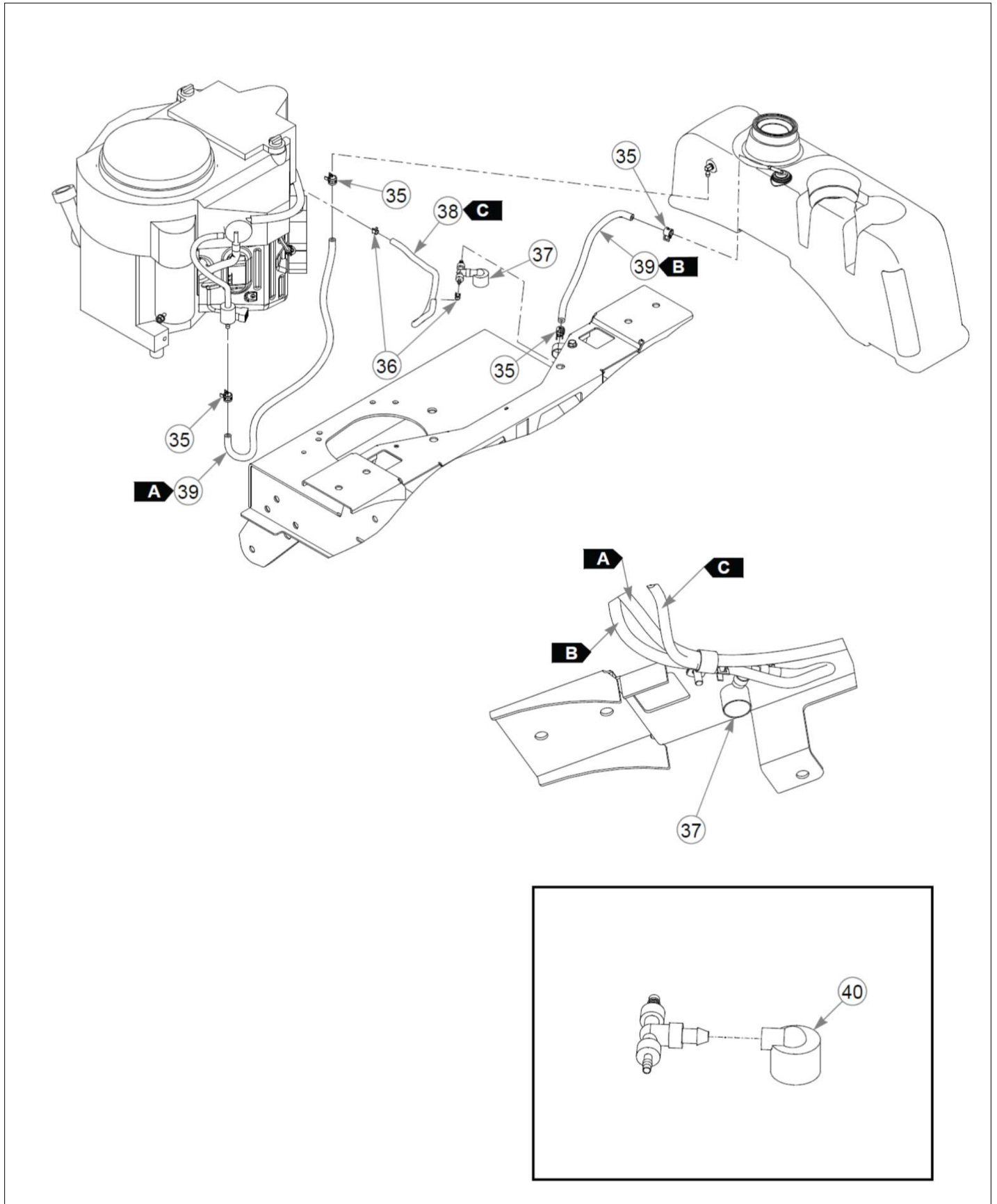
jmumford@excelii.com on May 8, 2015

1. Part of the wire harness.
2. Supplied with the engine.
3. Torque to 41–47 N-m. If the fastener is loosened or removed, do not re-use it. Replace it with a new fastener. Use only hand tools to install this fastener.
4. Torque to 30 N-m.
5. Torque to 61–65 N-m. If the fastener is loosened or removed, do not re-use it. Replace it with a new fastener. Use only hand tools to install this fastener.

Engine & Fuel Tank Section



Item	Part No.	Name	Qty	Uom
1		ENGINE, KAW FS651V	1	EA
2	000331	WIRE TIE, SMALL/SHORT	3	EA
3	601062	BATTERY CABLE, POS.	1	EA
4	029876	LW0.325INTEXT	1	EA
5	796219	BATTERY CABLE,NEG 36" D	1	EA
6	768523	FW 0.343SAE	9	EA
7	720516	CS M8-1.25X16HX FL10.9	3	EA
8	796524	VALVE,OIL DRAIN M20x2.5	1	EA
9	767954	FW 0.379 x 0.813 x 0.063	5	EA
10	602580	CS .375-16x1.25 HXG8 P85	4	EA
11	799429	PULLEY, A SEC, 4.5 OD	1	EA
12	712372	KEY 1/4 SQ X 0.66 LG(FS)	1	EA
13	791251	HARNESS, CLUTCH PIGTAIL	1	EA
<p>Comments for Part Num. 791251</p> <p>parts@excelii.com on Aug 28, 2015</p> <p>Pigtail was updated with epoxy to hold the wires steady. The wire sheath was also updated to a more flexible material.</p>				
14	601784K	CLUTCH KIT	1	EA
15	602680	FW .453X 1.12X .119 HRD	1	EA
16	601834	CS .437-20X3.25 HXG5 P85	1	EA
17	034272	NT .312-18HXG5	6	EA
18	113946	CLUTCH ANCHOR	1	EA
19	036236	CS .312-18X1.000HXG5	2	EA
20	016899	NT .375-16 FLKG5	1	EA
21	000398	CLAMP	1	EA
22	603524	CS M5-0.8 X 50 MM	1	EA
23	036244	CS .375-16X1.000HXG5	1	EA
24	113970	CABLE GUIDE	1	EA
25	602704	MUFFLER, FS730V FSD	1	EA



Item	Part No.	Name	Qty	Uom
26	771428	BATTERY CBL BOOT-RED(FS)	1	EA
27	024927	NT .250-20HXG5	4	EA
28	768515	FW 0.281SAE	6	EA
29	601312	BATTERY CABLE, POS.	1	EA
30	055939	CS .250-20X0.750HXG5	2	EA
31	016253	CB .312-18X .750 FUL ZN	4	EA
32	044255	NT #10-32HXG5	1	EA
33	030817	STARTER SOLENOID HW KIT	1	EA
34	112828	EXHAUST MOUNT	1	EA
35	000323	CLIP, HOSE CLAMP	4	EA
36	603112	CLAMP, 3/16 FUEL	2	EA
37	603114	VACUUM BREAKER	1	EA
38	603326	VAPOR LINE, 3/16"	46cm	FT
39	015818	FUEL LINE, 1/4"	107cm	FT
40	603161	VACUUM BREAKER FILTER	1	EA

Comments for Page: Engine, Kawasaki FS651V - S/N Prior to 12042555

jmumford@excelii.com on May 8, 2015

1. Part of the wire harness.
2. Supplied with the engine.
3. Torque the bolt to 61–65 N-m. If the fastener is loosened or removed, do not re-use it. Replace it with a new fastener. Use only hand tools to install this fastener.
4. Torque the bolt to 41–47 N-m. If the fastener is loosened or removed, do not re-use it. Replace it with a new fastener. Use only hand tools to install this fastener.
5. Torque the nuts to 30 N-m.

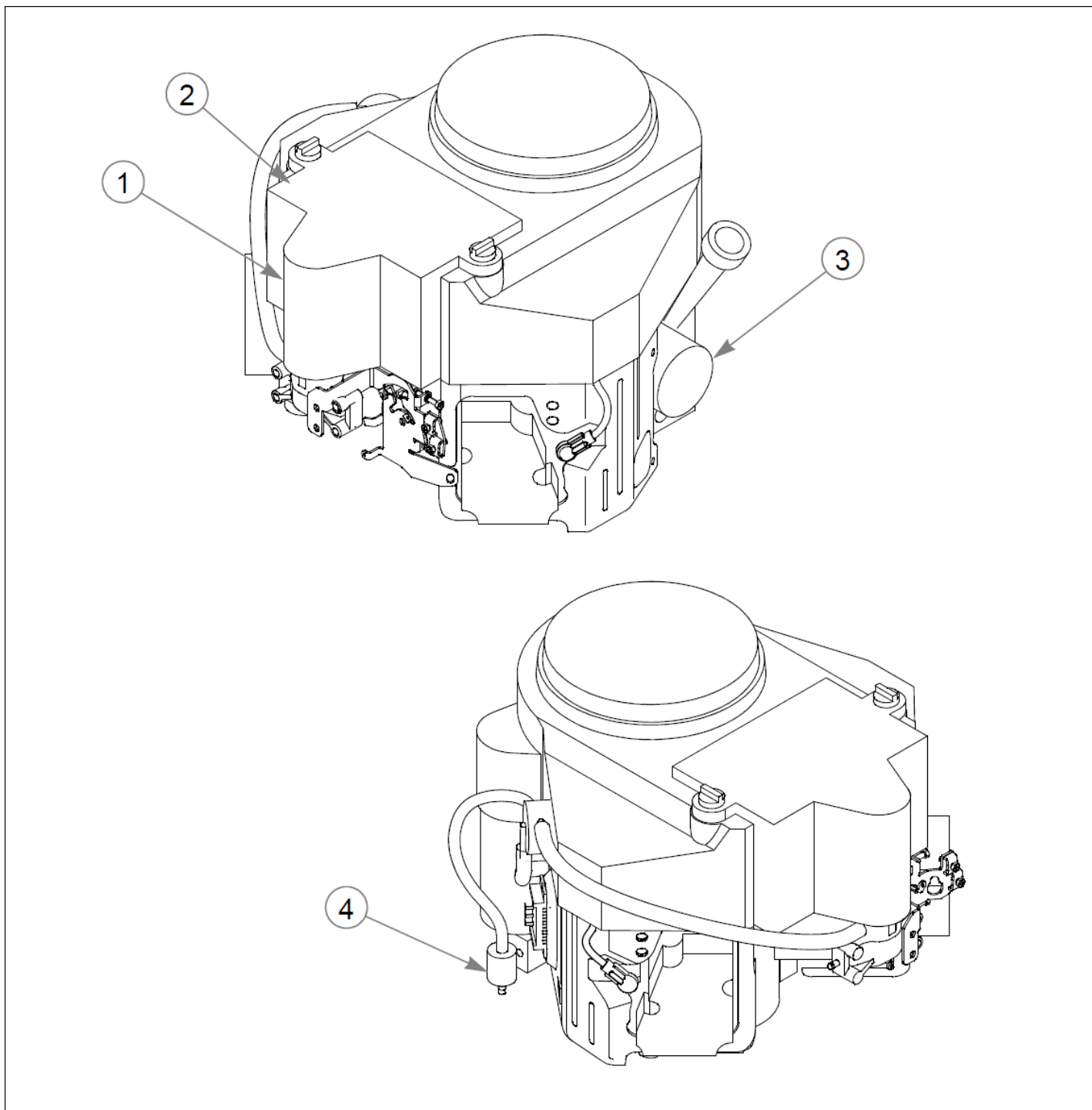
FUEL & VAPOR LINE LENGTHS

A: 69 cm fuel line from the tank to the engine

B: 38 cm vapor line from the tank to the vacuum breaker

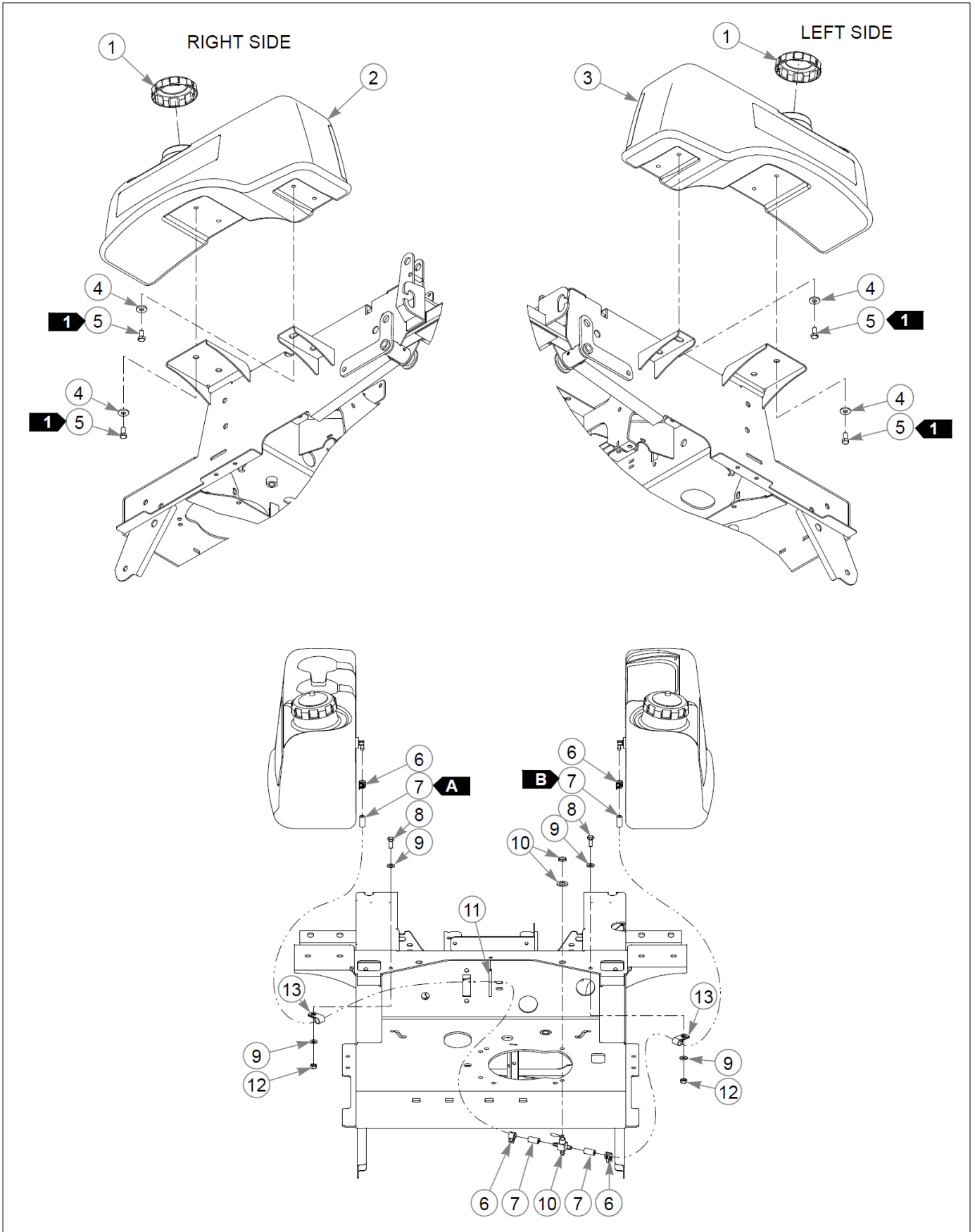
C: 46 cm vapor line from the vacuum breaker to the engine

Engine & Fuel Tank Section



Item	Part No.	Name	Qty	Uom
1	603059	AIR FILTER, KAW W/CLAMP	1	EA
2	603058	PRE FILTER, KAW	1	EA
3	602581	OIL FILTER, KAW ENG.	1	EA
4	068478	FUEL FILTER IN-LINE	1	EA

Engine & Fuel Tank Section



Item	Part No.	Name	Qty	Uom
1	779306	FUEL CAP,3.5"	2	EA
2	601320	FUEL TANK, RIGHT SIDE	1	EA
3	601321	FUEL TANK LEFT SIDE	1	EA
4	712919	FW 0.406X1.000X0.120HD	8	EA
5	055822	CS .375-16X0.750HXG5	8	EA
6	000323	CLIP, HOSE CLAMP	4	EA
7	015818	FUEL LINE, 1/4"	89cm	FT
8	034280	CS .312-18X0.750HXG5	2	EA
9	768523	FW 0.343SAE	4	EA
10	745059	FUEL VALVE 3-WAY	1	EA
11	000331	WIRE TIE, SMALL/SHORT	1	EA
12	034272	NT .312-18HXG5	2	EA
13	000398	CLAMP	2	EA

Comments for Page: Fuel Tanks - S/N 12042555 & Higher

jmumford@excelii.com on May 8, 2015

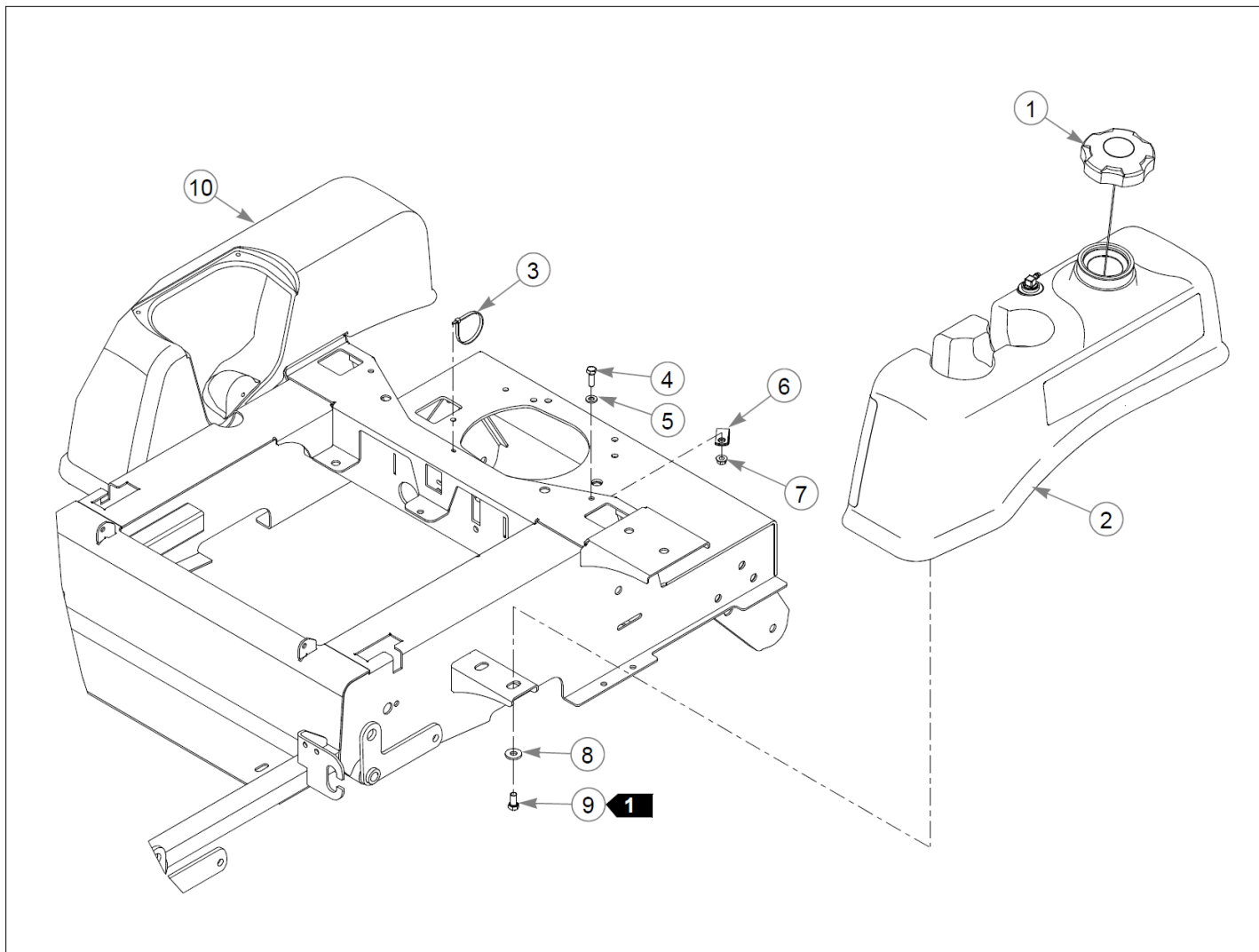
FUEL LINE LENGTHS

A: 61 cm fuel line from the left tank to the fuel valve

B: 28 cm fuel line from the right tank to the fuel valve

1. Torque to 27 N-m.

Engine & Fuel Tank Section



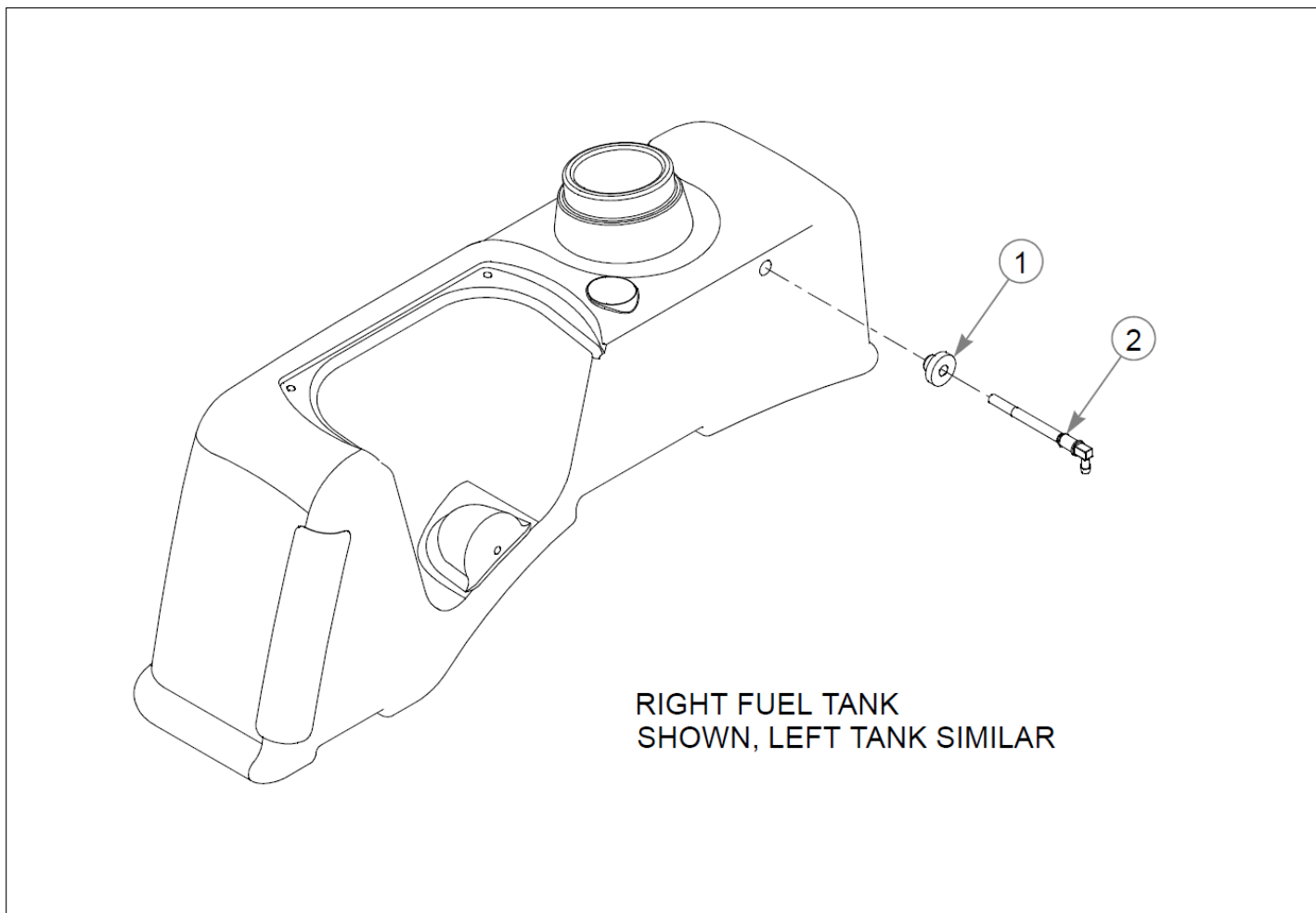
Item	Part No.	Name	Qty	Uom
1	602916	CAP, 3.5" RATCHETING GAS	1	EA
2	603544	FUEL TANK, FENDER, LH	1	EA
3	000331	WIRE TIE, SMALL/SHORT	1	EA
4	034280	CS .312-18X0.750HXG5	1	EA
5	768523	FW 0.343SAE	1	EA
6	043570	CLIP - HOSE - SINGLE(FS)	1	EA
7	016832	NT .312-18FLKG5	1	EA
8	712919	FW 0.406X1.000X0.120HD	8	EA
9	055822	CS .375-16X0.750HXG5	8	EA
10	602909	FENDER, RIGHT SIDE	1	EA

Comments for Page: Fuel Tank & Fender - S/N Prior to 12042555

jmumford@excelii.com on May 8, 2015

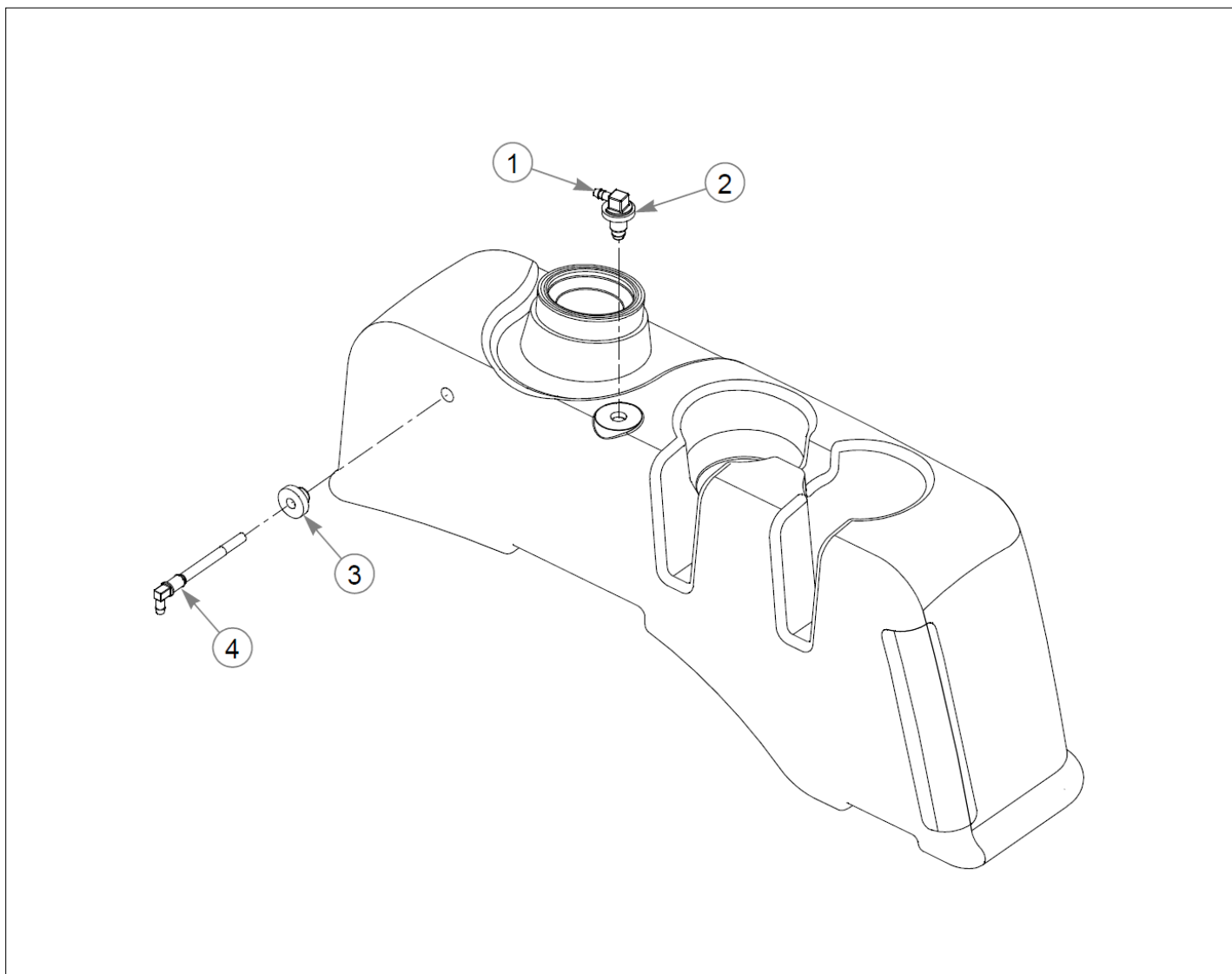
1. Torque to 27 N-m.

Engine & Fuel Tank Section



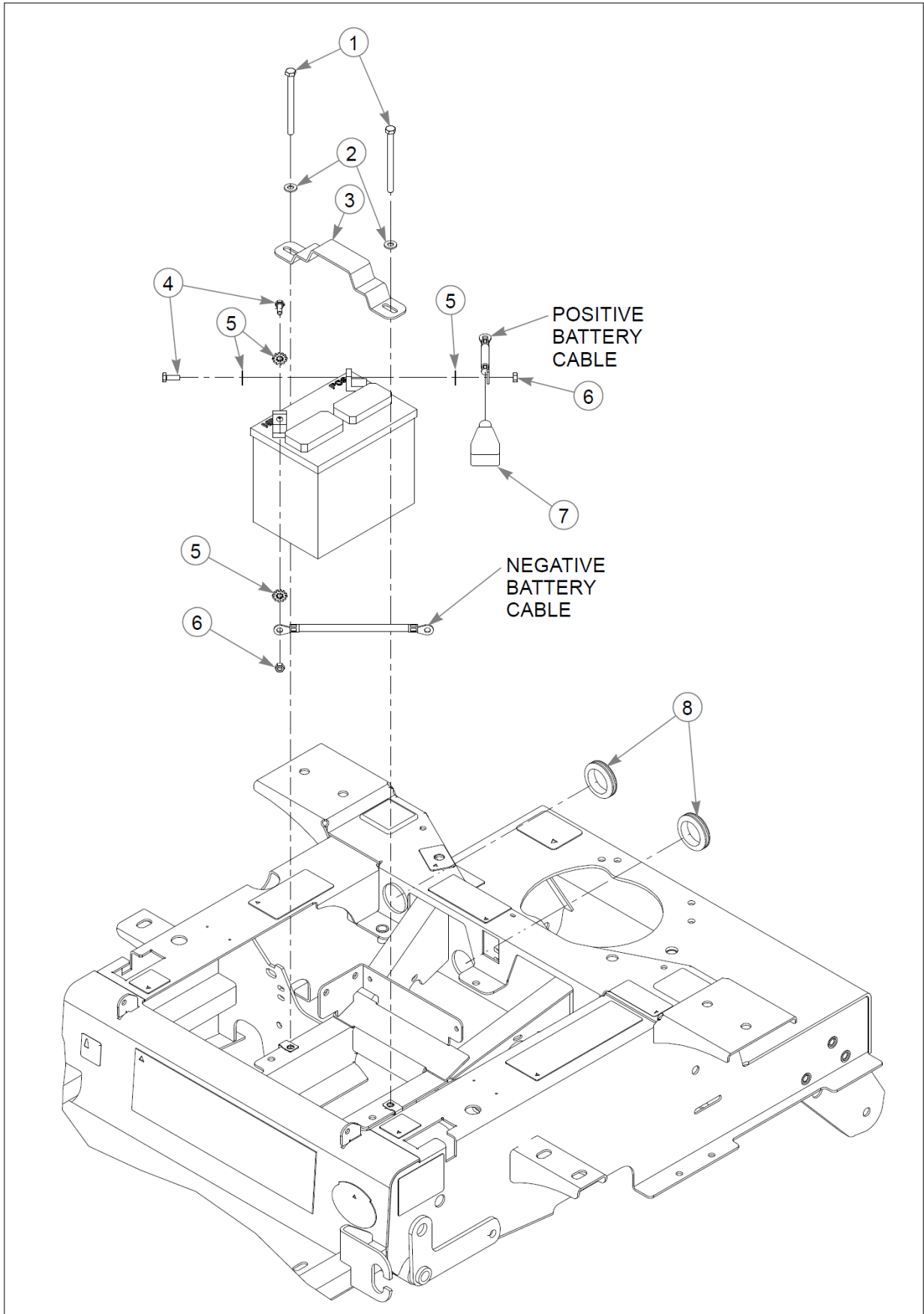
Item	Part No.	Name	Qty	Uom
1	785295	GROMMET, FUEL	1	EA
2	601529	SUCTION HOSE ASSY 26.5	1	EA

Engine & Fuel Tank Section



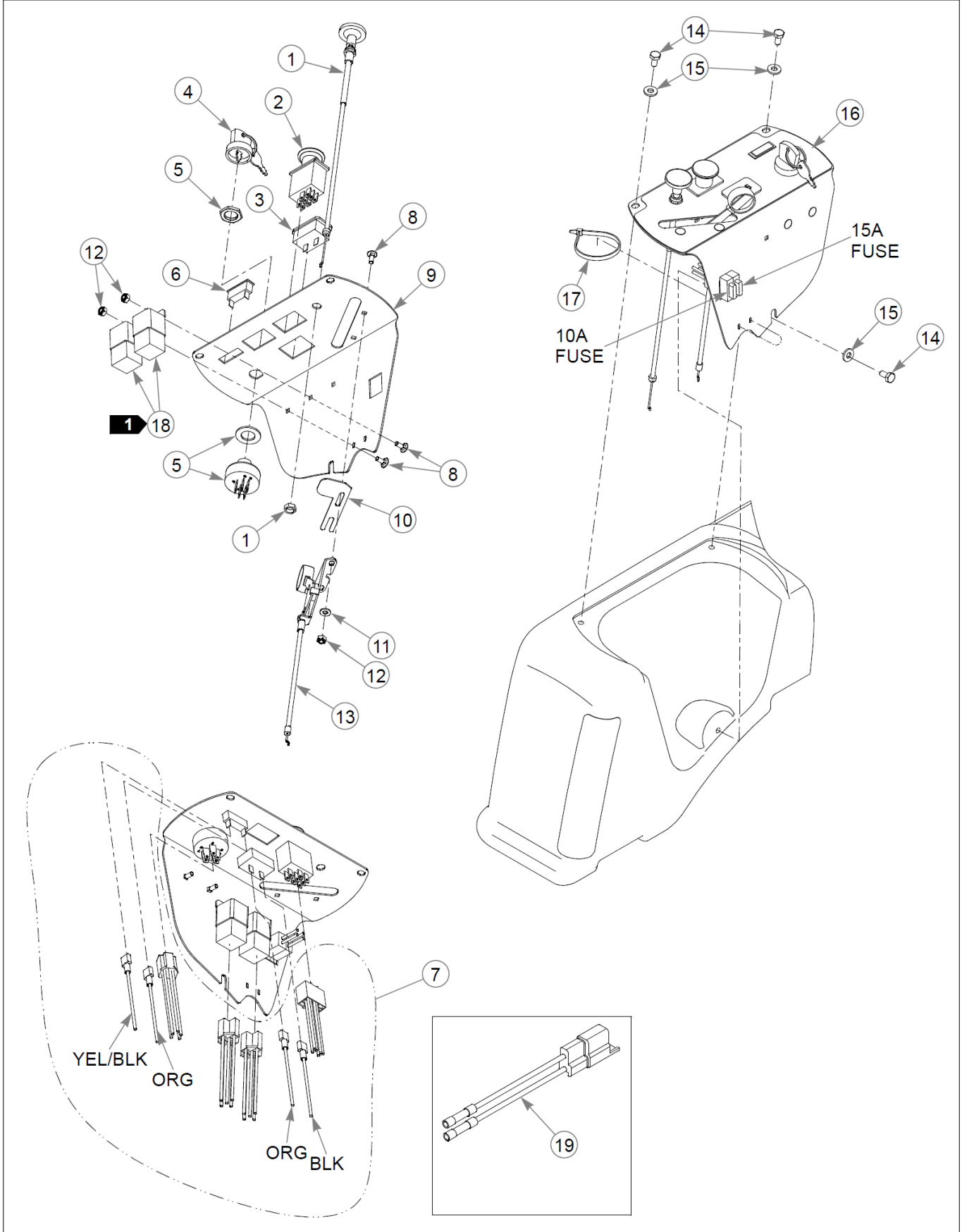
Item	Part No.	Name	Qty	Uom
1	604199	VENT FITTING	1	EA
2	604200	VITON GROMMET	1	EA
3	785295	GROMMET, FUEL	1	EA
4	601529	SUCTION HOSE ASSY 26.5	1	EA

Electrical Section



Item	Part No.	Name	Qty	Uom
1	714618	CS .312-18X4.000HXG5	2	EA
2	768523	FW 0.343SAE	2	EA
3	348417	STRAP, BATTERY CLAMP	1	EA
4	055939	CS .250-20X0.750HXG5	2	EA
5	029868	LW0.250INTEXT	4	EA
6	024927	NT .250-20HXG5	2	EA
7	771428	BATTERY CBL BOOT-RED(FS)	1	EA
8	794644	GM 1.50 X 2.12 X 1.75	2	EA
9	000331	WIRE TIE, SMALL/SHORT	1	EA

Electrical Section



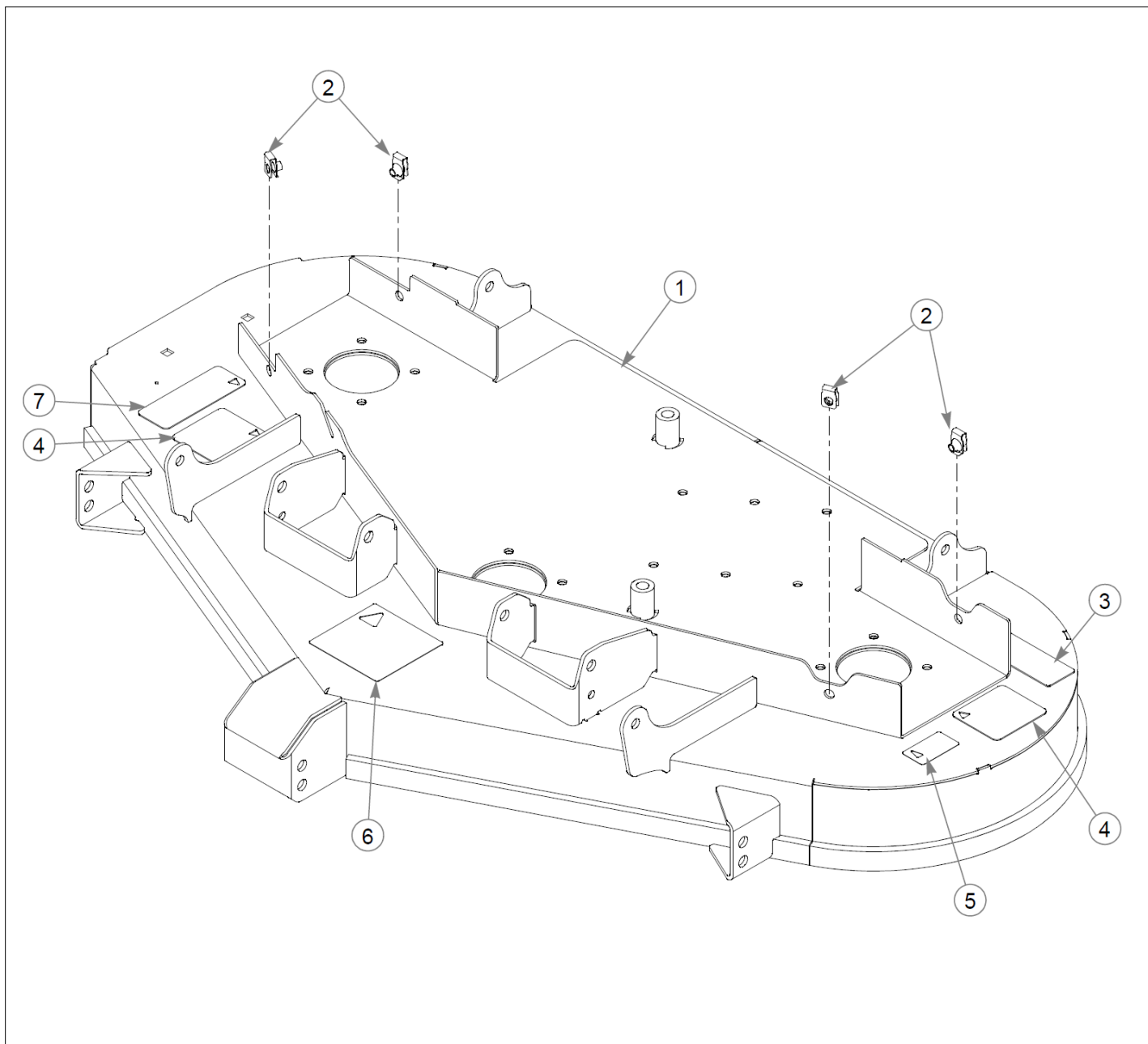
Item	Part No.	Name	Qty	Uom
1	601095	CABLE, CHOKE	1	EA
2	776476	SWITCH, PTO 6201-321	1	EA
3	769166	HOUR METER	1	EA
4	785808	KEY ASSEMBLY	1	EA
5	045898	IGNITION SWITCH	1	EA
6	712257	INDICATOR LIGHT, RED(FS)	1	EA
7	602430	WIRE HARNESS	1	EA
8	601098	CB 10-24 X .500 ZYNC	4	EA
9	550454	SVC PART INST PANEL X	1	EA
10	102707	STOP, CE THROTTLE	1	EA
11	704932	FW 0.219X0.500X0.048	2	EA
12	059832	NT #10-24 HX NL ZN	4	EA
13	601094	CABLE, THROTTLE	1	EA
14	055947	CS .250X20X0.500HXG5	3	EA
15	768515	FW 0.281SAE	3	EA
16	602233	DECAL, INST PANEL	1	EA
17	000331	WIRE TIE, SMALL/SHORT	6	EA
18	601053	RELAY, SEALED W/BRACKET	1	EA
19	114052	KIT, CLUTCH CONN. REP.	1	EA

Comments for Page: Instrument Panel

jmumford@excelii.com on May 8, 2015

1. Part of the wire harness.
2. The instrument panel (550454) includes the decal (602233).

Deck Section



Item	Part No.	Name	Qty	Uom
1	550752	SERVICE DECK, 48" FST	1	EA
2	601069	CN .312-18x.200 MAX THK	4	EA
3	601892	DECAL, THROWN OBJECTS	1	EA
4	601837	DECAL, DECK DANGERS	2	EA
5	727172	DECAL 'MADE IN U.S.A.'	1	EA
6	781419	DECAL, BELT ROUTING	1	EA
7	601624	DECAL, DISCHARGE CHUTE	1	EA

Comments for Page: Service Deck

jmumford@excelii.com on May 8, 2015

1. The deck includes decals and hardware.

Item	Part No.	Name	Qty	Uom
1	025007	CS .62511X1.750HXG5	1	EA
2	046821	FW 0.656X2.000X0.078	3	EA
3	797449	FW 0.630X1.125X0.180	3	EA
4	784504	PULLEY, IDLER, 5.00"OD,	3	EA
5	028118	FW 0.625X1.000X0.134	1	EA
6	600296	SPACER, DECK IDLER	1	EA
7	350884	SLIDE, DECK IDLER	1	EA
8	781302	IDLER SPRING	1	EA
9	259812	CHAIN, 13 LINK	1	EA
10	797910	CS .312-18x1.50FLT SH ZY	6	EA
11	601434	IDLER SLIDE, UHMW	2	EA
12	016972	NT .625-11 HX G5 ZNYC	2	EA
13	781872	CS .625-11X1.250HXG5	3	EA
14	782474	CW .678 X 2.250 X .187	5	EA
15	792689	PULLEY, DRIVE 5.19 OP	3	EA
16	054502	NT .375-16HXG5	12	EA
17	767954	FW 0.379 x 0.813 x 0.063	24	EA
18	034280	CS .312-18X0.750HXG5	2	EA
19	768523	FW 0.343SAE	10	EA
20	788166	WHEEL ASSY, ANTI SCALP	4	EA
21	781567	NT .500-13NLG5	4	EA
22	034272	NT .312-18HXG5	2	EA
23	113716	PULLER ASSY, 14.53 C/C	2	EA
Not Shown	109247	PULLER & PIN ASSY	1	EA
Not Shown	109248	PULLER & PIN ASSY	1	EA
24	783738	CS .625-11X3.000HXG5	2	EA
25	058776	NT .312-18NLG5	6	EA
26	783506	BLADE SPINDLE ASSEMBLY	3	EA

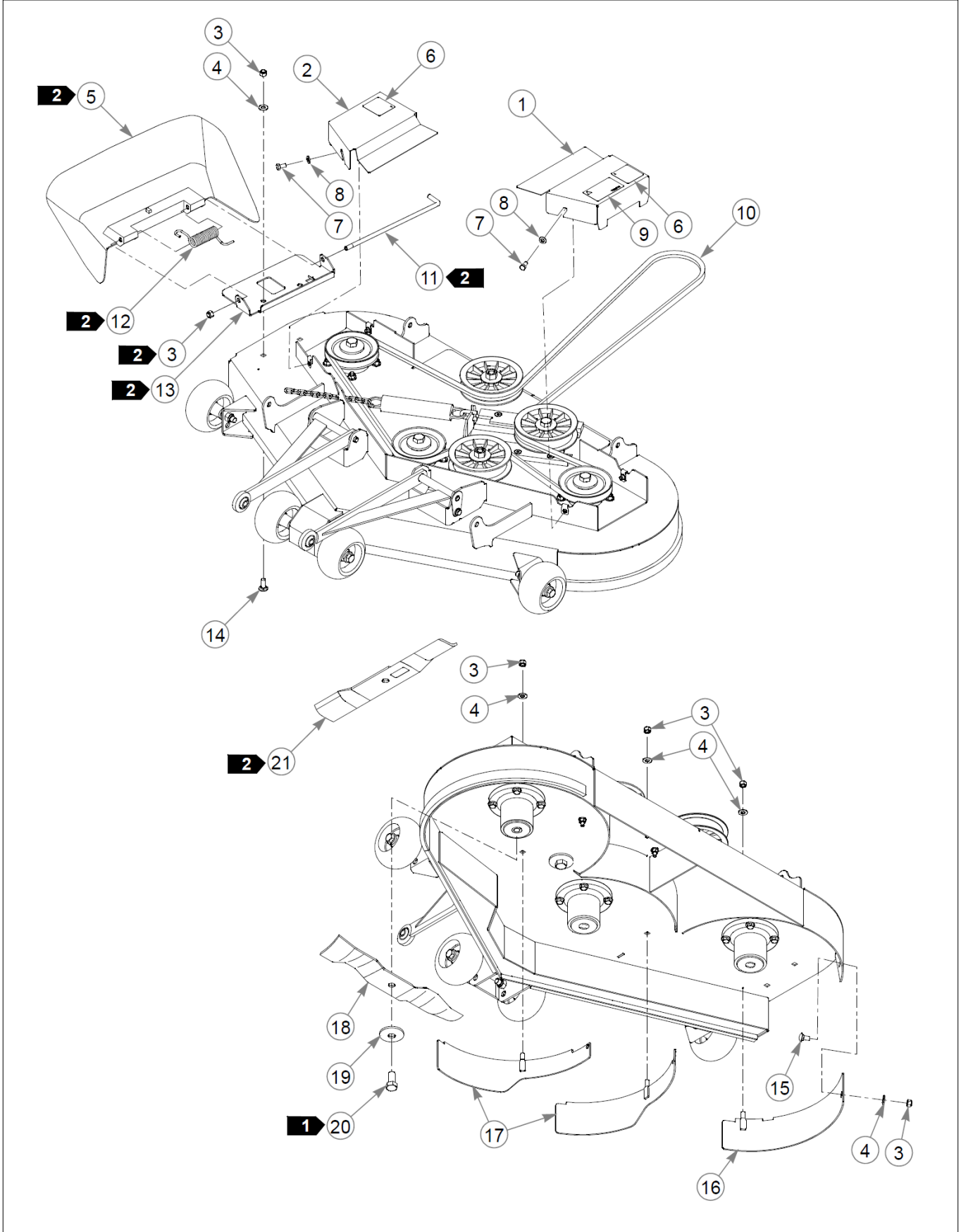
Item	Part No.	Name	Qty	Uom
27	005116	CS .375-16X1.375	12	EA
28	781708	CS .500-13X4.250HXG5	1	EA
29	767962	FW .531 x 1.063 x .175	2	EA
30	031997	ANTI-SCALP WHEEL	1	EA
31	053199	NT .500-13JAMG5	1	EA

Comments for Page: Deck Pulleys & Spindles

jmumford@excelii.com on May 8, 2015

1. Torque to 91–102 N-m.
2. The plastic wheel assembly includes hardware.
3. 113716 is used with mowers S/N 13030774 & higher.
4. 109247 & 109248 are used with mowers S/N prior to 13030774.

Deck Section



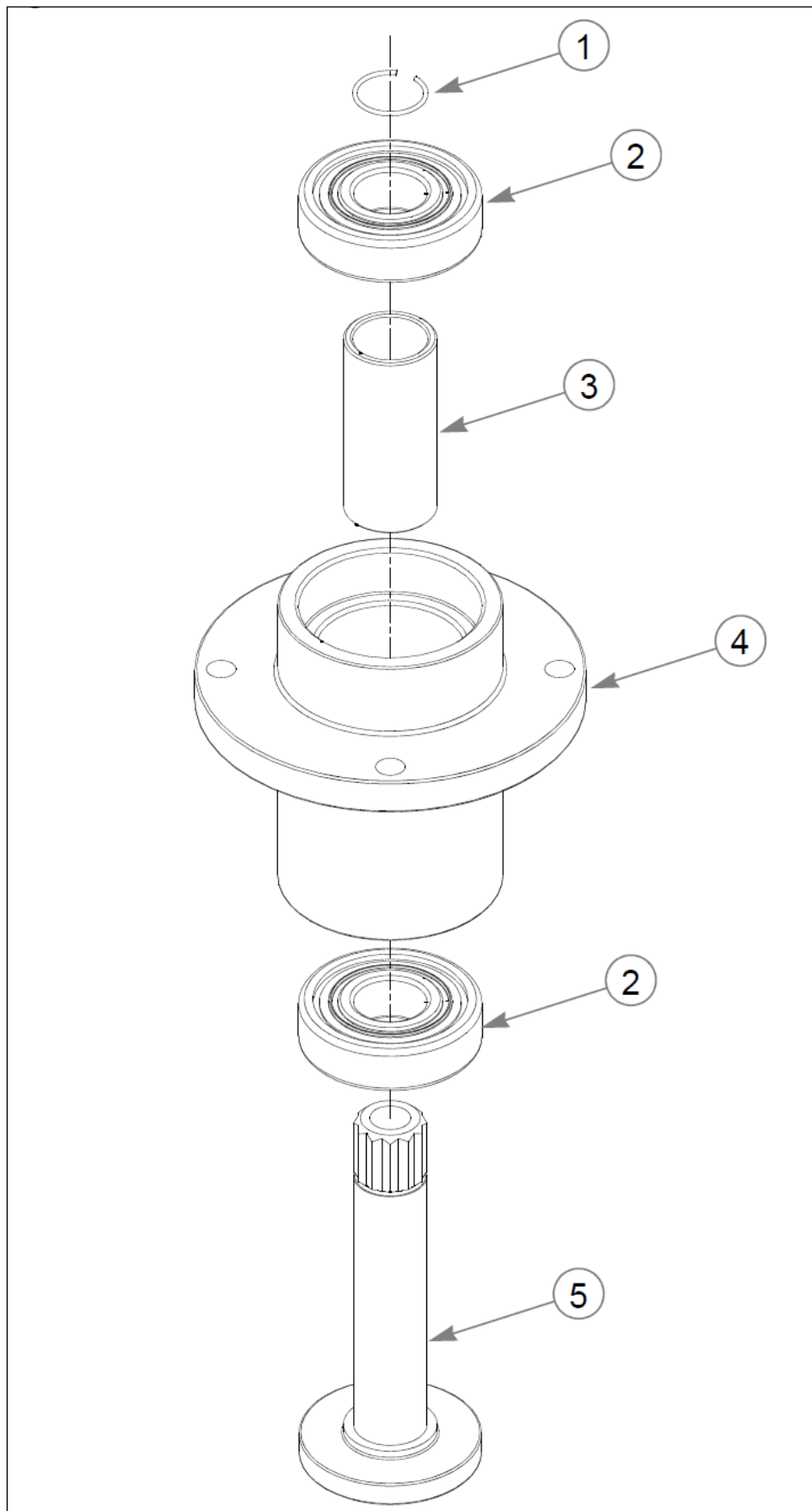
Item	Part No.	Name	Qty	Uom
1	550478	SVC PULLEY COVER-LS	1	EA
2	550477	SVC PULLEY COVER-RS	1	EA
3	086660	NT .375-16NLG5	7	EA
4	767954	FW 0.379 x 0.813 x 0.063	6	EA
5	601806	DISCHARGE CHUTE	1	EA
6	602562	DECAL, NO SERVICE	2	EA
7	064006	CS .312-18X0.625HXG5	4	EA
8	768523	FW 0.343SAE	4	EA
9	793976	DECAL,48"DECK ID	1	EA
10	791335	BELT, B 143" EL	1	EA
11	601843	PIN, CHUTE	1	EA
12	602591	SPRING, TORSION HEAVY	1	EA
13	112448	BRACKET, CHUTE 48/54 FST	1	EA
14	025395	CB .375-16X 1.00 G5 ZNY	2	EA
15	011320	CB .375-16X .750 STD ZN	1	EA
16	108227	BAFFLE MULCH W/A 48"	1	EA
17	108225	Baffle Mulch,48" Common	2	EA
18	796623	BLADE, 16.50"-MUL-F-CW	3	EA
19	782474	CW .678 X 2.250 X .187	3	EA
20	781872	CS .625-11X1.250HXG5	3	EA
21	601123	BLADE, 16.50"-L-F-CW	3	EA
Not Shown	796631	BLADE, 16.50"-GAT-F-CW	3	EA
Not Shown	796623	BLADE, 16.50"-MUL-F-CW	3	EA

Comments for Page: Deck

jmumford@excelii.com on May 8, 2015

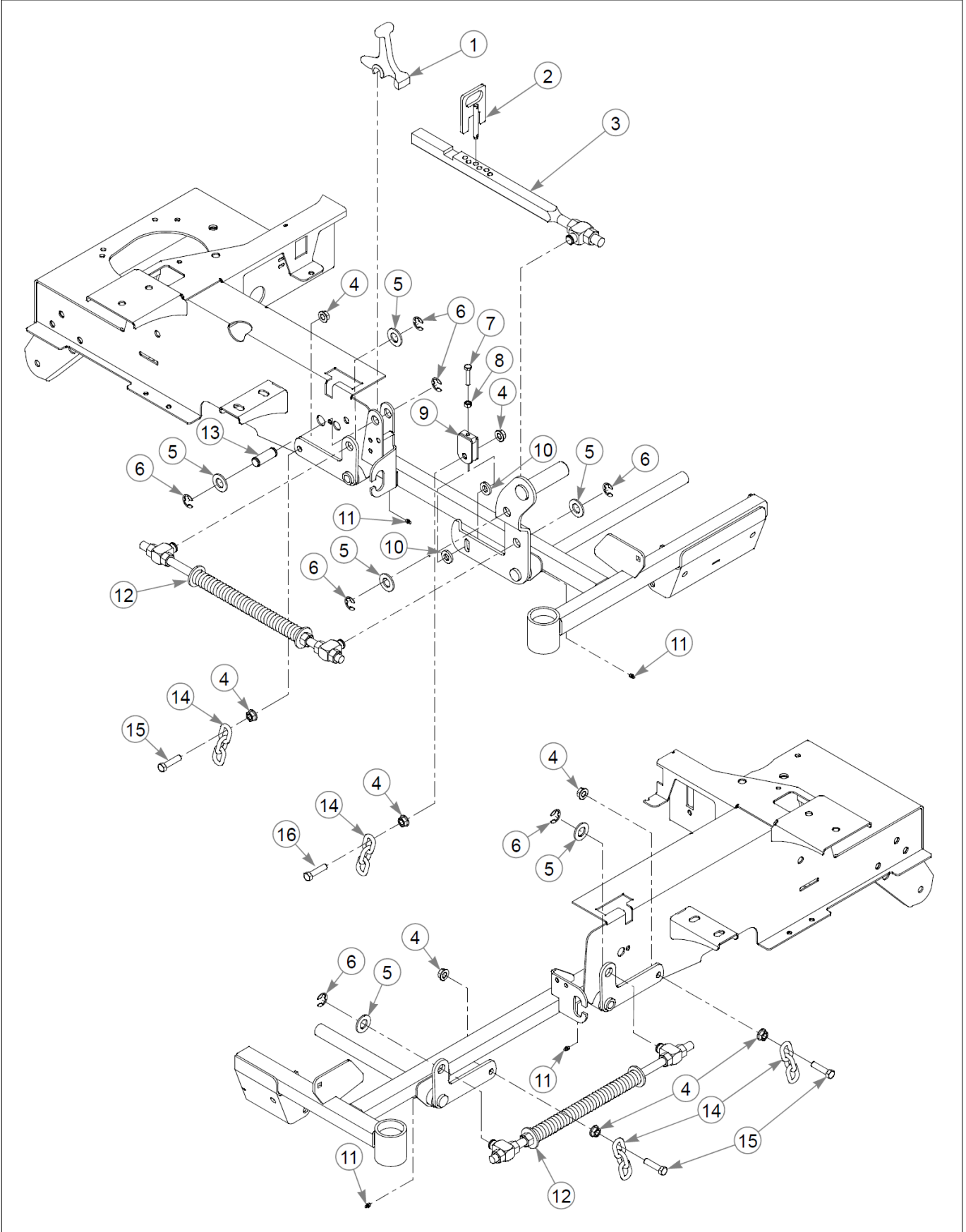
1. Torque to 160 N-m.
2. These items must be used when the mulch system is removed.
3. LS & RS pulley covers include decals.

Deck Section

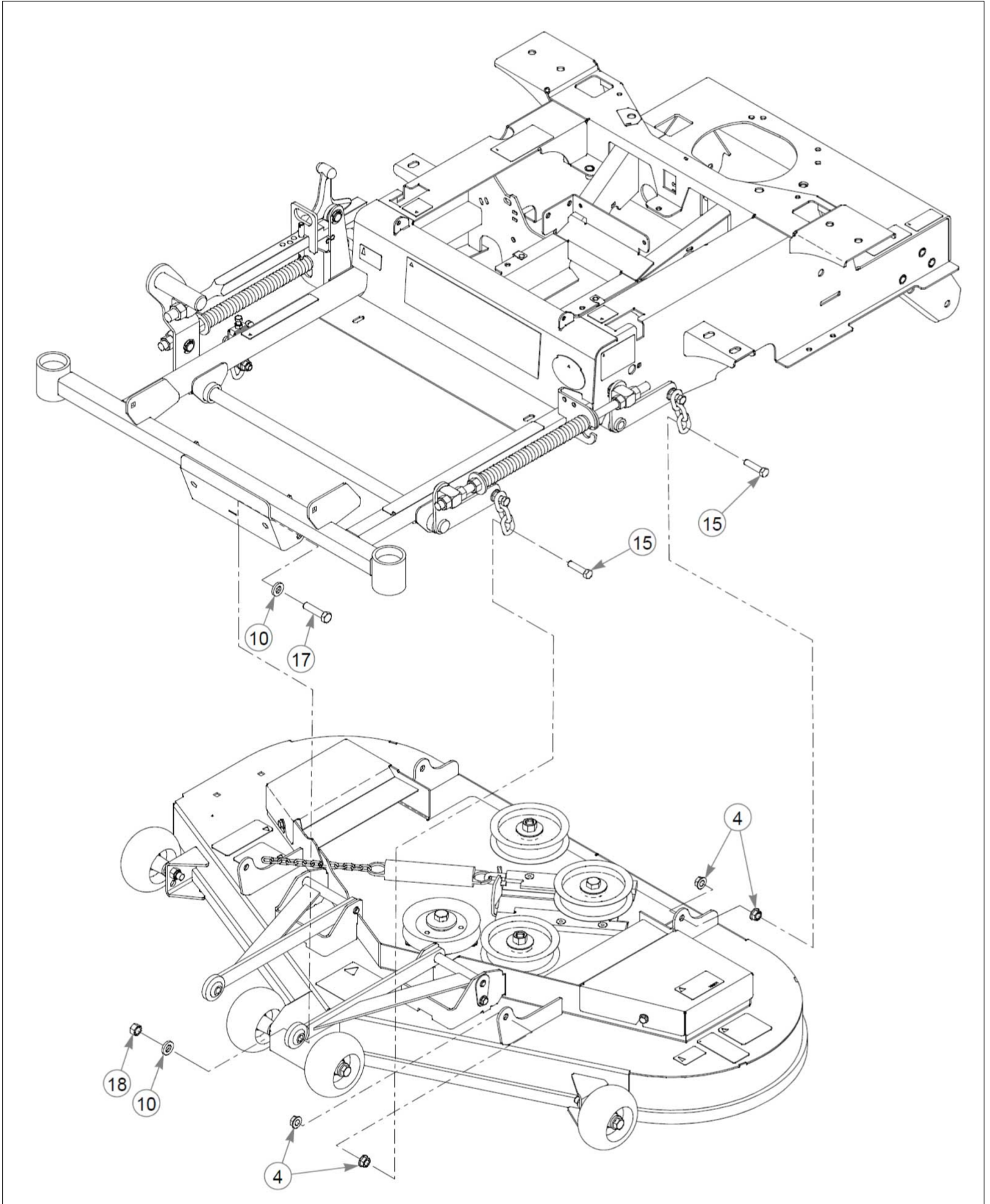


Item	Part No.	Name	Qty	Uom
1	783548	RING, BLADE SPINDLE RET	1	EA
2	783555	BEARING, BLADE SPINDLE	2	EA
3	783530	SPACER, BLADE SPINDLE	1	EA
4	783514	HOUSING, BLADE SPINDLE	1	EA
5	783522	SHAFT, BLADE SPINDLE	1	EA

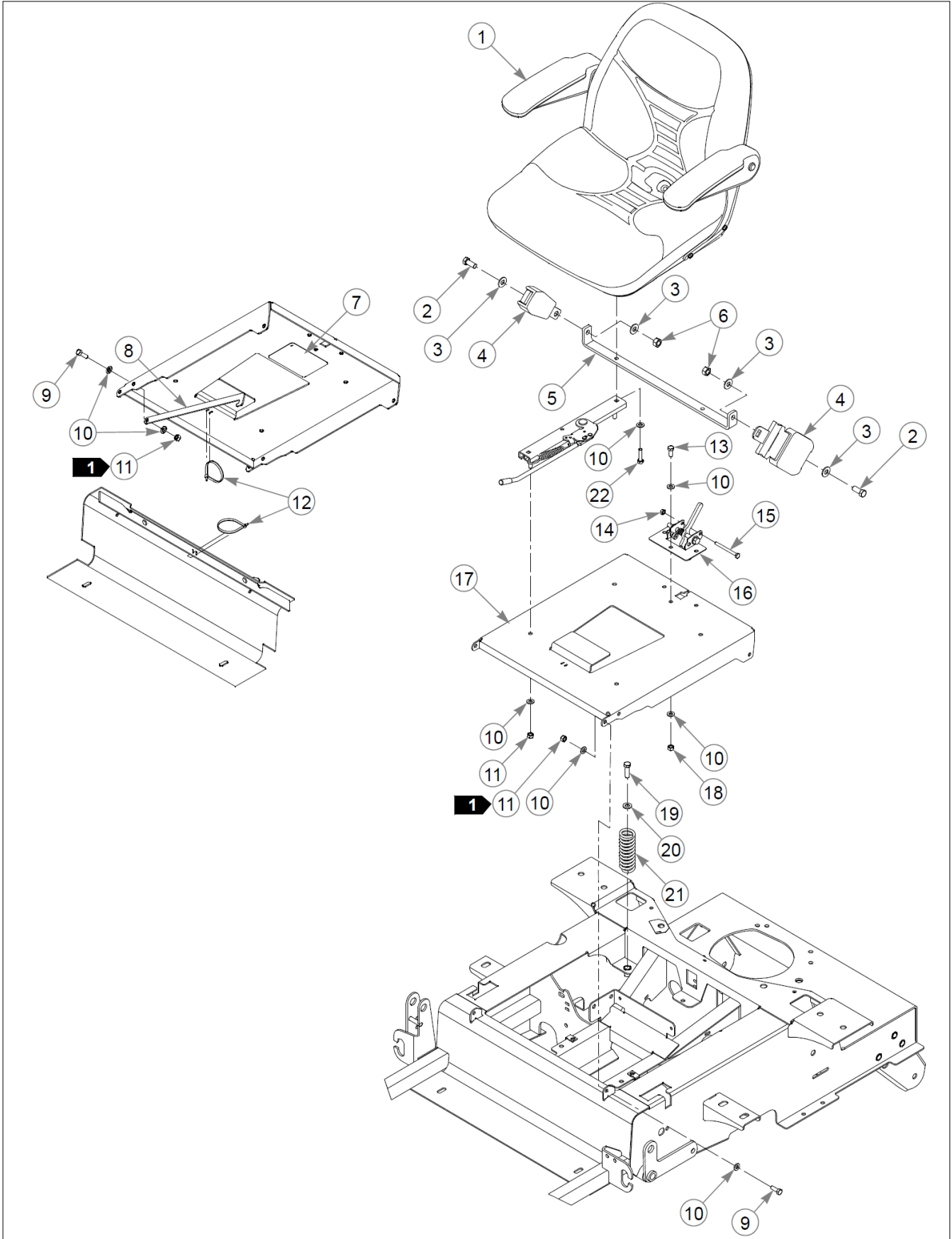
Deck Section



Item	Part No.	Name	Qty	Uom
1	348318	HANDLE, STOP	1	EA
2	348284	STOP, HEIGHT ADJ W/A	1	EA
3	784488	INDICATOR, DECK LIFT S/	1	EA
4	704643	NT .437-14FLKG5	16	EA
5	601681	FW .781x1.50x.120 ZNYC	6	EA
6	781294	CLIP E, 1.00 X.625X .05	7	EA
7	756270	CS .312-18X1.500HXG5	1	EA
8	034272	NT .312-18HXG5	1	EA
9	348458	YOKE W/A, DECK LEVELER	1	EA
10	767962	FW .531 x 1.063 x .175	6	EA
11	015495	GREASE FITTING STRAIGHT	4	EA
12	782995	DECK LIFT SPRING S/A	2	EA
13	781229	CE .750X2.25 X1.75 HEAD	1	EA
14	360131	CHAIN, DECK LIFT	4	EA
15	055749	CS .437-14X1.750HXG5	7	EA
16	781831	CS .437-14X1.750HXG5	1	EA
17	078949	CS .500-13X2.000 FUL HX	2	EA
18	008193	NT .500-13HXG5	2	EA



Seat & ROPS Section



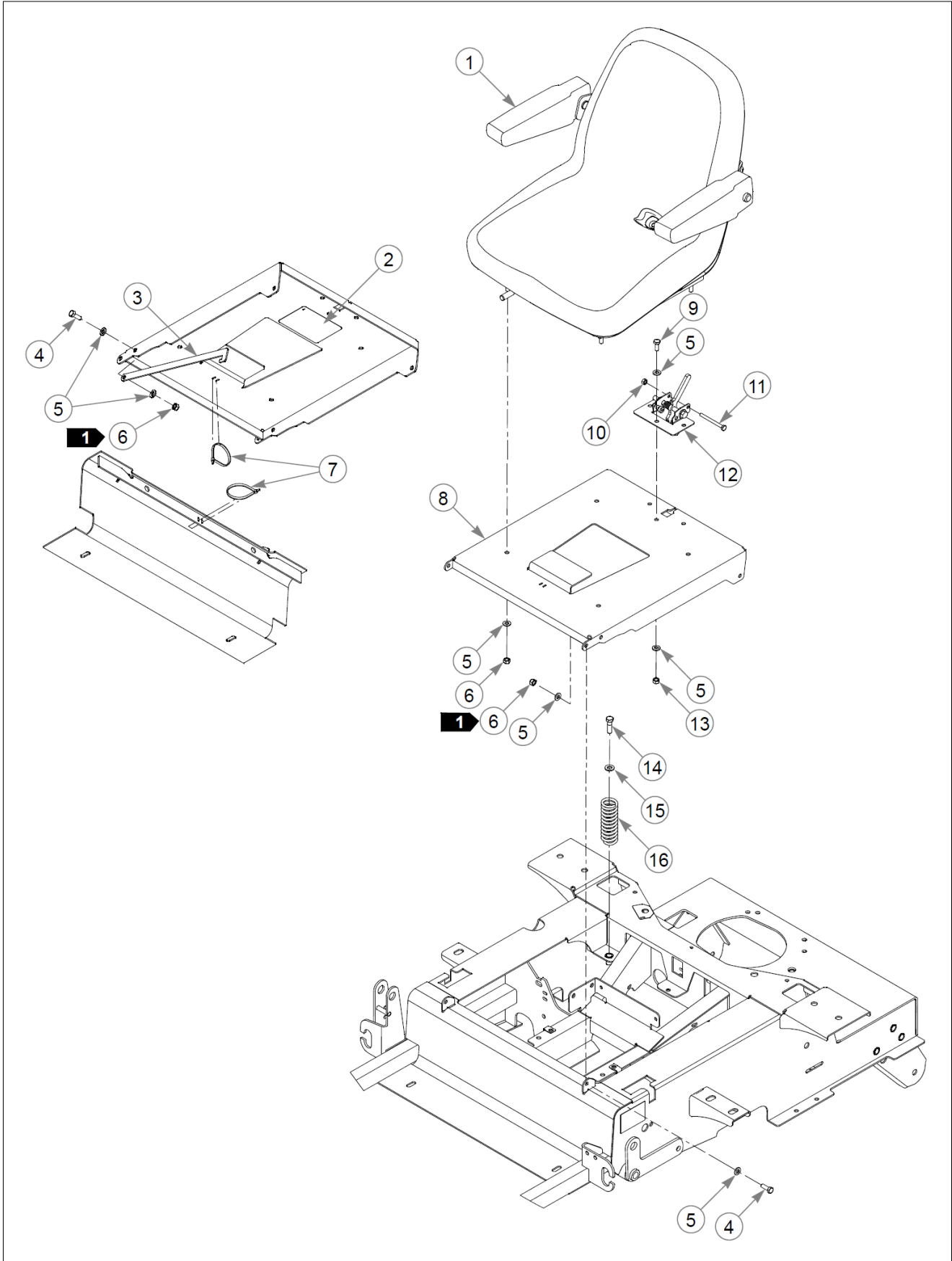
Item	Part No.	Name	Qty	Uom
1	793661	SEAT, MICHIGAN STANDARD	1	EA
2	797076	CS .437-20X1.000HXG8	2	EA
3	017129	FW .440X1.000X0.083	4	EA
4	601444	SEAT BELT	1	EA
5	794610	BAR, SEAT BELT CROSS	1	EA
6	704635	NT .437-20HXG5	2	EA
7	601815	DECAL, BATTERY WARNINGS	1	EA
8	109240	SEAT PAN STOP	1	EA
9	064014	CS .312-18X0.875HXG5	3	EA
10	768523	FW 0.343SAE	18	EA
11	058776	NT .312-18NLG5	7	EA
12	000331	WIRE TIE, SMALL/SHORT	2	EA
13	034280	CS .312-18X0.750HXG5	3	EA
14	024927	NT .250-20HXG5	1	EA
15	794156	CS .250-20X2.750HXG5	1	EA
16	603884	SEAT LATCH ASSY	1	EA
17	550855	SVC, SEAT PAN	1	EA
18	034272	NT .312-18HXG5	3	EA
19	052860	CS .375-16X1.250 HX G5	2	EA
20	767954	FW 0.379 x 0.813 x 0.063	2	EA
21	601450	SEAT SPRING, 150 LB/IN	2	EA
22	079186	CS .312-18X1.250HXG5	2	EA

Comments for Page: Seat - S/N 13010064 & Higher

jnumford@excelii.com on May 8, 2015

1. Do not torque; the seat pan and seat pan stop must pivot freely.

Seat & ROPS Section



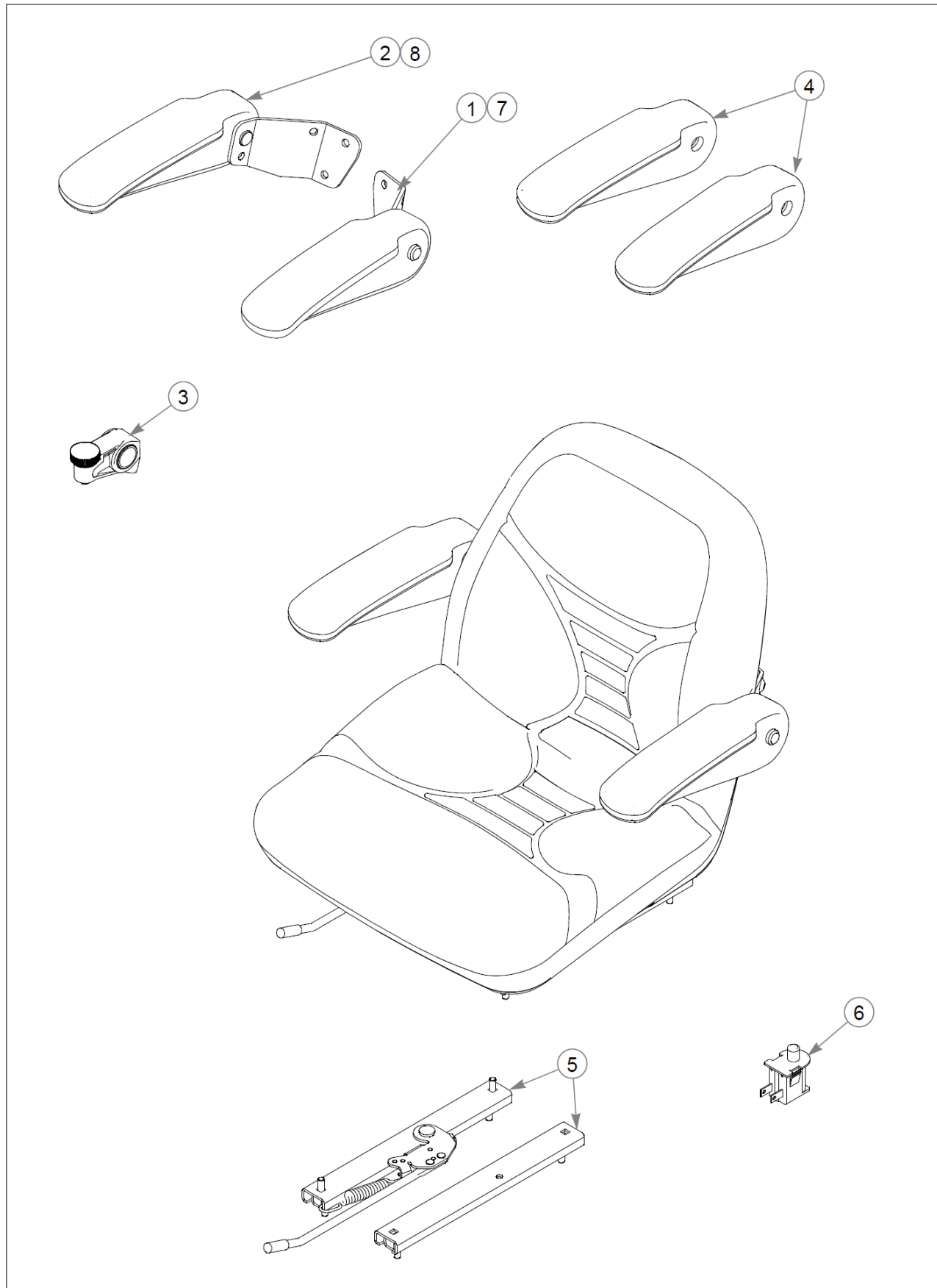
Item	Part No.	Name	Qty	Uom
1	793661	SEAT, MICHIGAN STANDARD	1	EA
2	601815	DECAL, BATTERY WARNINGS	1	EA
3	109240	SEAT PAN STOP	1	EA
4	064014	CS .312-18X0.875HXG5	3	EA
5	768523	FW 0.343SAE	18	EA
6	058776	NT .312-18NLG5	7	EA
7	000331	WIRE TIE, SMALL/SHORT	2	EA
8	550855	SVC, SEAT PAN	1	EA
9	034280	CS .312-18X0.750HXG5	5	EA
10	024927	NT .250-20HXG5	1	EA
11	794156	CS .250-20X2.750HXG5	1	EA
12	603884	SEAT LATCH ASSY	1	EA
13	034272	NT .312-18HXG5	3	EA
14	052860	CS .375-16X1.250 HX G5	2	EA
15	767954	FW 0.379 x 0.813 x 0.063	2	EA
16	601450	SEAT SPRING, 150 LB/IN	2	EA

Comments for Page: Seat - S/N Prior to 13010064

jmumford@excelii.com on May 8, 2015

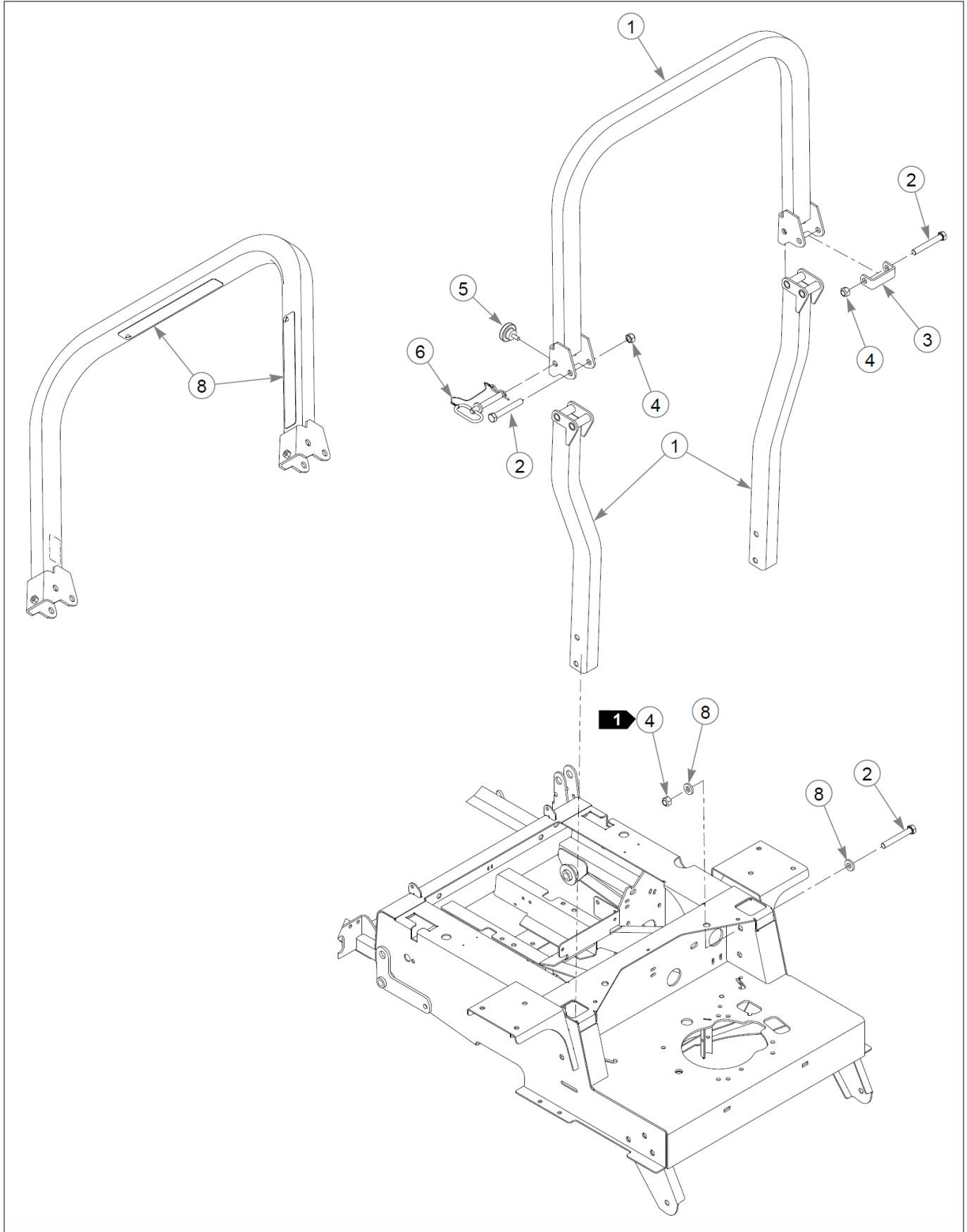
1. Do not torque; the seat pan and seat pan stop must pivot freely.

Seat & ROPS Section



Item	Part No.	Name	Qty	Uom
1	797464	ARMREST ASSY LH RND	1	EA
2	797472	ARMREST ASSY RH RND	1	EA
3	793273	ARMREST,STOP ASSY	1	EA
4	797480	2 ARMRESTS, MOLDED RND	1	EA
5	793307	SLIDE KIT	1	EA
6	793315	SWITCH, SEAT	1	EA
7	604458	EXT. ARMREST KIT L.H.	1	EA
8	604459	EXT. ARMREST KIT R.H.	1	EA

Seat & ROPS Section



Item	Part No.	Name	Qty	Uom
1	601439	SD ROPS KIT (SN#)	1	EA
2	061812	CS .500-13X3.500HXG5	6	EA
3	601472	ROPS STOP	1	EA
4	023317	NT .500-13UNTG8	6	EA
5	601470	KNOB, HAND FOR ROPS	2	EA
6	601471	LYNCH PIN W/ LANYARD	2	EA
7	767962	FW .531 x 1.063 x .175	8	EA
8	601635	DECAL, ROP'S	2	EA

Appendix B:Parts Index

000323	6-1, 6-2, 6-4	036244	6-1, 6-2
000331	4-1, 6-1, 6-2, 6-4, 6-5, 7-1, 7-2, 9-1, 9-2	036384	4-1
000398	6-1, 6-2, 6-4	038828	4-1
005108	4-8	041152	4-4, 4-5, 4-6
005116	4-4, 4-5, 4-6, 8-2	043570	6-5
008193	8-5	044255	6-1, 6-2
011320	3-2, 8-3	045898	7-2
015495	8-5	046821	8-2
015818	6-1, 6-2, 6-4	048553	4-1
016253	6-1, 6-2	052860	3-3, 9-1, 9-2
016410	4-2	053199	3-3, 8-2
016444	3-4	054502	3-2, 4-8, 8-2
016816	4-8	055749	8-5
016832	6-5	055822	6-4, 6-5
016899	3-4, 6-1, 6-2	055939	4-1, 4-4, 4-5, 4-6, 4-8, 6-1, 6-2, 7-1
016972	8-2	055947	7-2
017129	9-1	058776	8-2, 9-1, 9-2
019521	5-2, 5-3	059832	7-2
023317	9-4	061077	5-1
023655	4-4, 4-5, 4-6, 4-8	061101	5-2
024927	4-4, 4-5, 4-6, 6-1, 6-2, 7-1, 9-1, 9-2	061812	9-4
025007	4-1, 8-2	064006	8-3
025296	4-1, 5-2	064014	9-1, 9-2
025395	3-2, 8-3	068478	6-3
028118	4-1, 8-2	068551	4-1, 4-6
029868	7-1	078949	8-5
029876	4-4, 4-5, 4-6, 6-1, 6-2	079186	9-1
030817	6-1, 6-2	080655	4-8
031997	3-3, 8-2	086660	3-2, 4-7, 4-8, 8-3
034272	4-1, 4-2, 4-4, 4-5, 4-6, 6-1, 6-2, 6-4, 8-2, 8-5, 9-1, 9-2	102707	7-2
034280	6-4, 6-5, 8-2, 9-1, 9-2	107840	3-3
036236	4-4, 4-5, 4-6, 6-1, 6-2	107842	4-7
		107843	4-7
		107847	4-7

107848	4-7	550477	8-3
107881	4-1	550478	8-3
107892	4-8	550656	3-1
107893	4-8	550752	8-1
108225	8-3	550855	9-1, 9-2
108227	8-3	552176	3-3
108840	3-2	553001	3-4
108968	4-4, 4-5, 4-6	553002	3-4
109202	4-8	553003	3-4
109203	4-8	553004	3-4
109240	9-1, 9-2	600221	4-2, 4-5, 4-6
109247	8-2	600296	8-2
109248	8-2	600668	5-1
109318	4-6	600684	5-3
111875	5-1	600700	5-3
112448	8-3	600759	4-1
112828	6-1, 6-2	600767	4-1
113716	8-2	600880	4-2
113946	6-1, 6-2	600972	4-3
113970	6-1, 6-2	600974	4-3
114052	7-2	600975	4-3
120223	3-4	600976	4-3
259812	8-2	600979	4-1
344267	3-3, 5-1	600981	4-4, 4-5, 4-6
348284	8-5	600987	4-2
348318	8-5	600991	4-8
348417	7-1	600994	3-1
348458	8-5	601001	4-2
350884	8-2	601018	4-2
360131	8-5	601051	4-8
360487	4-7	601053	7-2
361295	4-4, 4-5, 4-6	601062	6-1, 6-2
366625	5-2	601069	3-1, 8-1
550454	7-2	601084	4-1

601087	4-8	601967	3-1
601088	4-1	601993	3-1
601094	7-2	602041	3-1
601095	7-2	602233	7-2
601098	7-2	602407	3-2
601099	3-1	602430	7-2
601123	8-3	602562	3-1, 3-4, 8-3
601131	4-8	602580	6-1, 6-2
601221	4-3	602581	6-3
601312	6-1, 6-2	602591	8-3
601320	6-4	602680	6-1, 6-2
601321	6-4	602704	6-1, 6-2
601410	4-8	602909	6-5
601426	4-2, 4-5, 4-6	602916	6-5
601433	4-3	602974	6-1, 6-2
601434	8-2	603058	6-3
601439	9-4	603059	6-3
601444	9-1	603112	6-2
601450	9-1, 9-2	603114	6-2
601470	9-4	603161	6-2
601471	9-4	603223	4-3
601472	9-4	603326	6-2
601529	6-6, 6-7	603524	6-1, 6-2
601624	8-1	603544	6-5
601635	9-4	603572	4-3
601681	8-5	603884	9-1, 9-2
601784K	6-1, 6-2	604199	6-7
601806	8-3	604200	6-7
601815	9-1, 9-2	604352	3-3
601834	6-1, 6-2	604431	4-2
601837	8-1	604432	4-2
601843	8-3	604456	4-3, 4-4, 4-5
601892	8-1	604458	9-3
601941	4-3	604459	9-3

604871	4-3	776476	7-2
605038	5-2	779306	6-4
605039	5-2	781153	4-1
605404	3-4	781229	8-5
704163	4-6	781260	4-7
704635	9-1	781294	8-5
704643	8-5	781302	8-2
704791	4-1	781419	8-1
704932	7-2	781567	3-3, 8-2
705178	4-7	781708	3-3, 8-2
705954	5-1	781831	8-5
706168	4-4, 4-5, 4-6	781872	8-2, 8-3
710087	4-1	781922	4-2, 4-4, 4-5, 4-6
712257	7-2	782474	8-2, 8-3
712372	6-1, 6-2	782995	8-5
712919	3-4, 6-4, 6-5	783506	8-2
712976	5-1	783514	8-4
714618	7-1	783522	8-4
720516	6-1, 6-2	783530	8-4
727172	8-1	783548	8-4
745059	6-4	783555	8-4
747402	5-2	783738	8-2
756270	8-5	784223	5-1
765339	4-8	784439	4-4, 4-5, 4-6
767954	3-2, 3-3, 4-2, 4-7, 4-8, 6-1, 6-2, 8-2, 8-3, 9-1, 9-2	784488	8-5
767962	3-3, 8-2, 8-5, 9-4	784504	8-2
768515	4-1, 4-4, 4-5, 4-6, 6-1, 6-2, 7-2	784603	5-1
768523	4-1, 4-2, 4-4, 4-5, 4-6, 4-8, 6-1, 6-2, 6-4, 6-5, 7-1, 8-2, 8-3, 9-1, 9-2	784710	3-1
769166	7-2	785139	3-1
770867	4-7	785154CE	3-1
771428	6-1, 6-2, 7-1	785220	3-1
776310	3-1	785295	6-6, 6-7
		785485	3-2
		785493	3-2

785808	7-2
786079	5-2
786103	5-2
786731	5-2
786848	4-1
788166	3-3, 8-2
789776CE	3-1
791251	6-1, 6-2
791335	8-3
791848	3-1
792689	8-2
793273	9-3
793307	9-3
793315	9-3
793661	9-1, 9-2
793976	8-3
794156	9-1, 9-2
794446	4-1
794610	9-1
794644	7-1
796219	6-1, 6-2
796524	6-1, 6-2
796623	8-3, 8-3
796631	8-3
797076	9-1
797449	8-2
797464	9-3
797472	9-3
797480	9-3
797910	8-2
799429	6-1, 6-2
808485	3-1
808493	3-1

Appendix A:Pages Index

Battery	7-1	Steering - S/N Prior to 12120454, S/N 12121265 to 12121535	4-6
Brake	4-8	Steering - SN 13023176 & Higher	4-4
Deck	8-3	Steering Assembly	4-7
Deck Lift & Mounting Hardware	8-5	Transmission Assembly - ZT3100	4-2
Deck Pulleys & Spindles	8-2	Transmission Service Parts	4-3
Drive Wheel Breakdown - 54" Mowers	5-3	Wheel & Tire	5-1
Engine Guard	3-3		
Engine Service Parts, Kawasaki	6-3		
Engine, Kawasaki FS651V - S/N 12042555 & Higher	6-1		
Engine, Kawasaki FS651V - S/N Prior to 12042555	6-2		
Footrest	3-2		
Frame	3-1		
Front Tire Breakdown	5-2		
Fuel Tank & Fender - S/N Prior to 12042555	6-5		
Fuel Tank Service Parts - Dual Tank Mowers - S/N 12042555 & Higher	6-6		
Fuel Tank Service Parts - Single Tank Mowers - S/N Prior to 12042555	6-7		
Fuel Tanks - S/N 12042555 & Higher	6-4		
General Information	1		
Guards	3-4		
Hydraulic Transmission - ZT3100	4-1		
Instrument Panel	7-2		
ROPS - Foldable	9-4		
Seat - S/N 13010064 & Higher	9-1		
Seat - S/N Prior to 13010064	9-2		
Seat Service Parts	9-3		
Service Deck	8-1		
Spindle Assembly - 783506	8-4		
Steering - S/N 12120454 to 12121264, S/N 12121536 to 13023175	4-5		